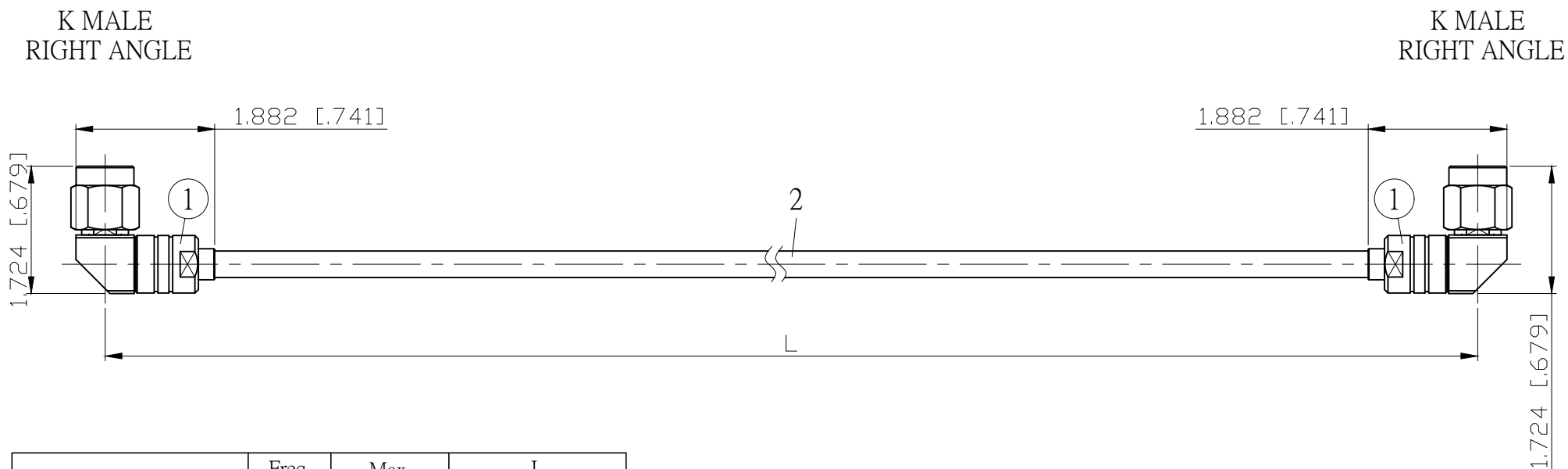


NO.	COMPONENTS	IMPEDANCE
1	K MALE RIGHT ANGLE	50 OHM
2	.141" HANDBENDABLE CABLE (= JYEBAO P/N .141SRF-W-P-50)	50 OHM

REVISION			
REV.	DESCRIPTON	DATE	APPROVED
-	INITIAL RELEASE	2020/01/15	

TEST LEAD WITH EXTRA STURDY CABLE / CONNECTOR CONNECTION.



JYE BAO P/N	Freq. (GHz)	Max. Return Loss	L CM (INCH)
K39K39-141S-40GXXX	40	-16dB	50 (19.685)
			100 (39.370)
			150 (59.055)
			200 (78.740)
			CUSTOM LENGTH IN CM

LENGTH TOLERANCE IS $\pm 1.5\%$ OR $\pm 10\text{MM}$, WHICHEVER IS GREATER.	JYE BAO CO., LTD. TAIPEI TAIWAN
	DESCRIPTION CABLE ASSEMBLY K PLUG R/A TO K PLUG R/A
	JYE BAO DRAWING NO. K39K39-141S-40GXXX