

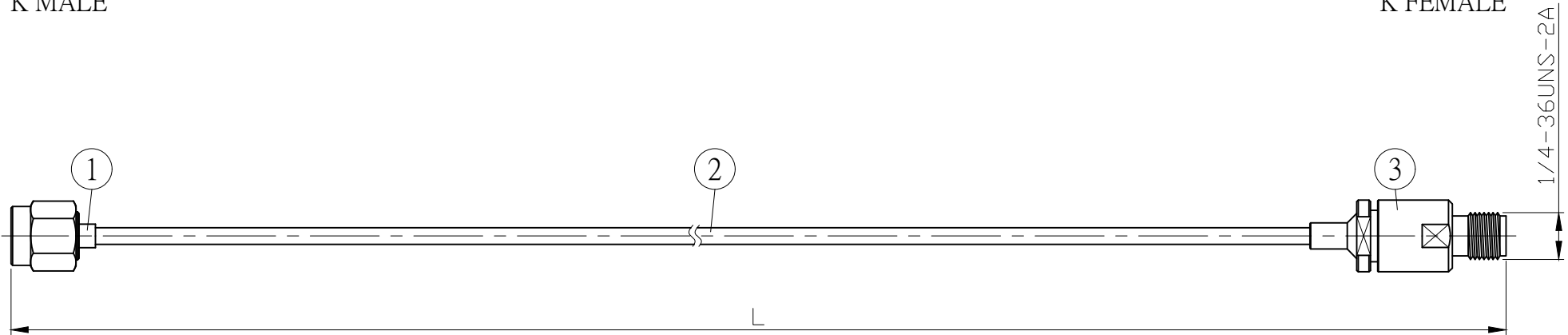
NO.	COMPONENTS	IMPEDANCE
1	K MALE	50 OHM
2	.085" HANDBENDABLE CABLE (= JYEBAO P/N .085SRF-W-P-50)	50 OHM
3	K FEMALE	50 OHM

REVISION			
REV.	DESCRIPTION	DATE	APPROVED
-	INITIAL RELEASE	2017/06/20	

**TEST LEAD WITH EXTRA STURDY  
CABLE / CONNECTOR CONNECTION.**

K MALE

K FEMALE



JYE BAO P/N	Freq. (GHz)	Max. Return Loss	L CM (INCH)
K30K80-85S-40GXXX	40	-16dB	50 (19.685)
			100 (39.370)
			150 (59.055)
			200 (78.740)
			CUSTOM LENGTH IN CM

LENGTH TOLERANCE IS ±1.5% OR ±10MM, WHICHEVER IS GREATER.

**JYE BAO CO., LTD.**

TAIPEI TAIWAN

DESCRIPTION

CABLE ASSEMBLY K PLUG TO K JACK

JYE BAO DRAWING NO.

K30K80-85S-40GXXX