

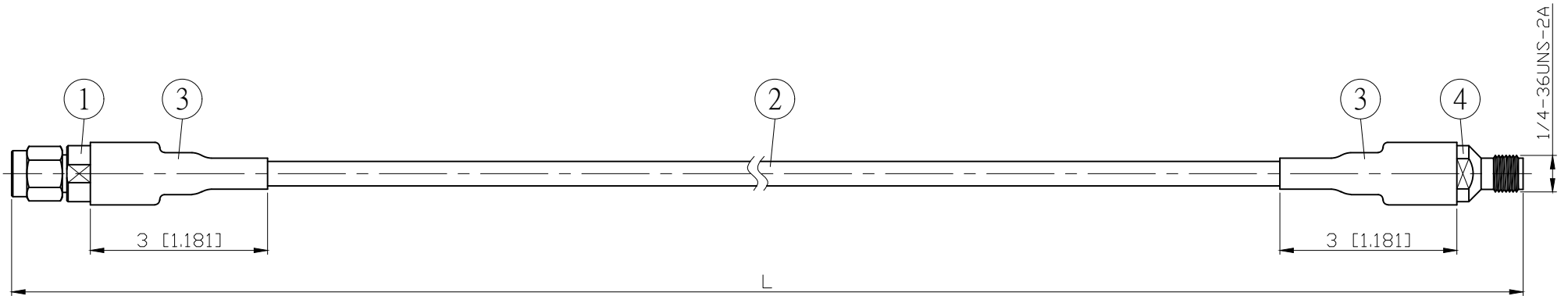
NO.	COMPONENTS	IMPEDANCE
1	K MALE	50 OHM
2	5003	50 OHM
3	HEAT SHRINKING TUBE	
4	K FEMALE	50 OHM

REVISION			
REV.	DESCRIPTON	DATE	APPROVED
-	INITIAL RELEASE	2021/04/22	

TEST LEAD WITH EXTRA STURDY CABLE / CONNECTOR CONNECTION.

K MALE

K FEMALE



L CM (INCH)	L1 M (MM)
50 (19.685)	0.475 (474.5)
100 (39.370)	0.975 (974.5)
150 (59.055)	1.475 (1474.5)
200 (78.740)	1.975 (1974.5)
Custom length in CM	- - -

Spec	Phase stability vs bending ⁽¹⁾	Amplitude stability vs bending ⁽²⁾	Max VSWR	Max IL	Flexure life cycle ⁽³⁾
3GHz	±0.5° typ / ±1.0° max	±0.005dB typ / ±0.01dB max	1.12 : 1	≤ (0.0075dB/cm*Lcm)+0.15dB	≥ 20000
6GHz	±0.75° typ / ±1.5° max	±0.0075dB typ / ±0.015dB max	1.15 : 1	≤ (0.0110dB/cm*Lcm)+0.20dB	
12.4GHz	±1.0° typ / ±2.0° max	±0.010dB typ / ±0.02dB max	1.20 : 1	≤ (0.0170dB/cm*Lcm)+0.25dB	
18GHz	±1.5° typ / ±3.0° max	±0.015dB typ / ±0.03dB max	1.25 : 1	≤ (0.0209dB/cm*Lcm)+0.30dB	
26.5GHz	±2.0° typ / ±4.0° max	±0.020dB typ / ±0.04dB max	1.25 : 1	≤ (0.0272dB/cm*Lcm)+0.40dB	
40GHz	±3.0° typ / ±6.0° max	±0.030dB typ / ±0.06dB max	1.30 : 1	≤ (0.0355dB/cm*Lcm)+0.50dB	

Notes:

1. Operating Temp.: -55°C / +105°C
2. Static bend radius 10mm
3. Dynamic bend radius 40mm
4. RoHS Compliant

- (1) Per IEC 60966-1, section 8.6, method 1
- (2) Per IEC 60966-1, section 8.4
- (3) Per IEC 60966-1, section 9.3

4	K8200S-5003	K JACK	1	EA
3	G5(F)-10MM-BLACK	TUBE	0.06	M
2	5003	CABLE	SEE TABLE L1	M
1	K3200S-5003A	K PLUG	1	EA
NO.	PARTS NO.	DESCRIPTION	Q'TY	U/M

LENGTH TOLERANCE IS ±1.5% OR ±10MM, WHICHEVER IS GREATER.	STANDARD	REV -	UNIT CM(INCH)	JYE BAO CO., LTD. TAIPEI TAIWAN
	APPROVED	DATE		
	CHECKED	DATE		
	DRAWING <i>Albert</i>	DATE		
DESCRIPTION CABLE ASSEMBLY K PLUG TO K JACK				JYE BAO DRAWING NO. K30K80-5003A-40GXXX