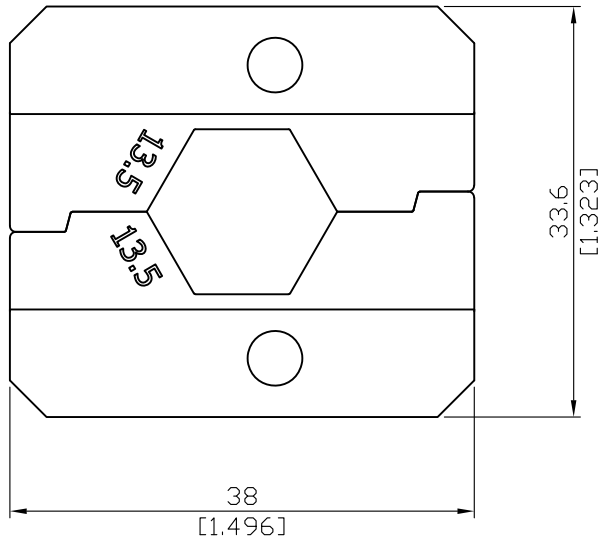


INSERT-FB	Crimp Insert For LMR500 13.5mm Hex To Be Used With Crimping Tool CRT-3
-----------	---



Parts	Material	Plating ( Micro-inch )
Insert	High Carbon Steel	Black Chromium 5 Over Copper 50

--	--

This part number complies with RoHS.

Notice: JYEBAO reserves the right to make modifications demend appropriate.