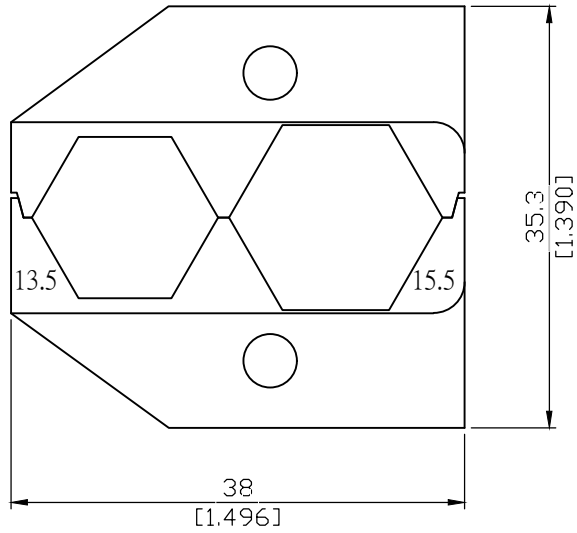


INSERT-F

Crimp Insert To Be Used
With Crimping Tool CRT-3



Note:
To be used with JYEBAO crimp tools CRT-3.

Parts	Material	Plating (Micro-inch)
Insert	SKD11	Black Chromium 5 Over Copper 50