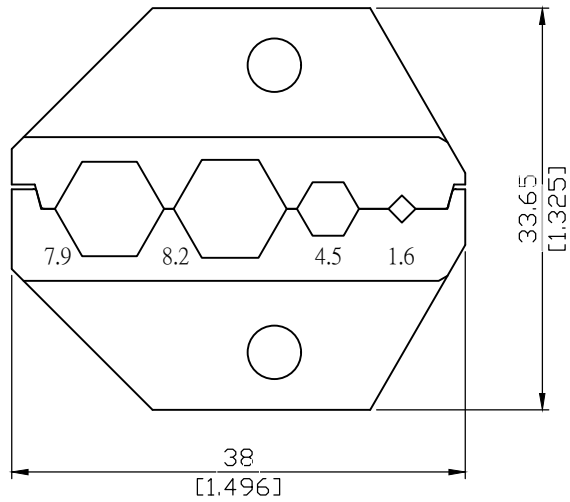


INSERT-D4

Interchangeable Crimp Insert To Be Used
With Crimping Tool CRT-1 & CRT-2



Note:
To be used with JYEBAO crimp tools CRT-1 and CRT-2.

Parts	Material	Plating (Micro-inch)
Insert	SKD11	Black Chromium 5 Over Copper 50