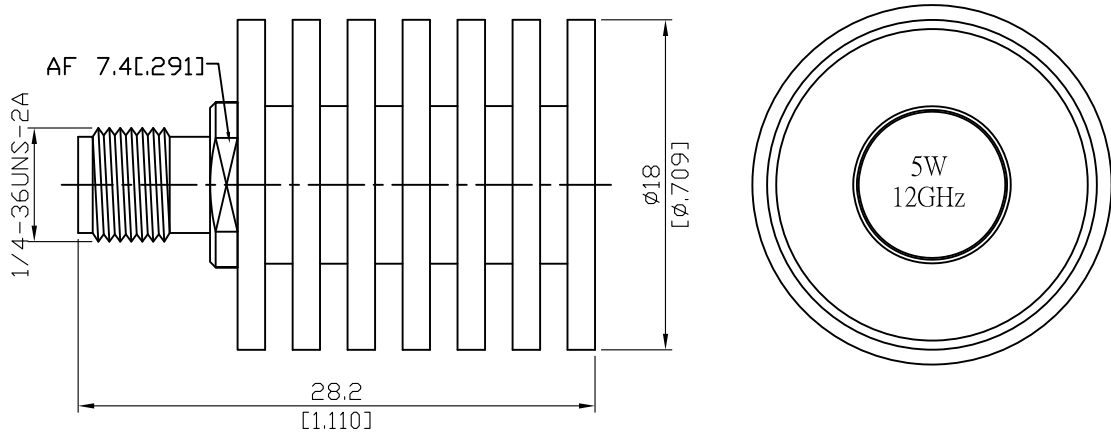


HPT-AF0/12G5W50

5 Watt 50ohm SMA Jack Termination
12.4GHz VSWR 1.15

50Ω



5W average power from -55°C to +70°C linearly derated to 1.5W at 165°C

Parts	Material	Plating (Micro-inch)
SMA Body	Brass	Gold 4 Over Nickel-Phosphorus Alloy 80 Over Copper 20
Heat Sink	Aluminum	Black Chromium 100
Contact Pin	Beryllium Copper	Gold 4 Over Nickel-Phosphorus Alloy 80 Over Copper 20
Insulator	Teflon	

This part number complies with RoHS.

Notice: JYEBAO reserves the right to make modifications deemed appropriate.

SMA	HPT-AF0/12G5W50
Interface	
MIL-STD-348B	
Mechanically compatible with	2.92 & 3.5
Electrical Data	
Impedance	50Ω
Frequency range	DC to 12.4GHz
VSWR	≤ 1.15 (DC to 12.4GHz)
Insertion loss	≤ 0.04 x √f(GHz) dB
Insulation resistance	≥ 5000MΩ
Contact resistance inner conductor	≤ 3mΩ
Contact resistance outer conductor	≤ 2mΩ
Dielectric withstanding voltage (at sea level)	1500 V rms
Working voltage (at sea level)	500 V rms
Mechanical Data	
Recommended coupling nut torque	4 inch lbs
Coupling proof torque	5.3 inch lbs
Coupling nut retention force	≥ 60.7 lbs
Contact Captivation-axial	≥ 6.1 lbs
Durability (mating)	≥ 100
Environmental Data	
Temperature range	-55°C to +165°C
Thermal shock	MIL-STD-202, Method 107, Condition B
Moisture resistance	MIL-STD-202, Method 106
Corrosion	MIL-STD-202, Method 101, Condition B
RoHS	Compliant
Tooling	

Notice: JYEBAO reserves the right to make modifications deemed appropriate.