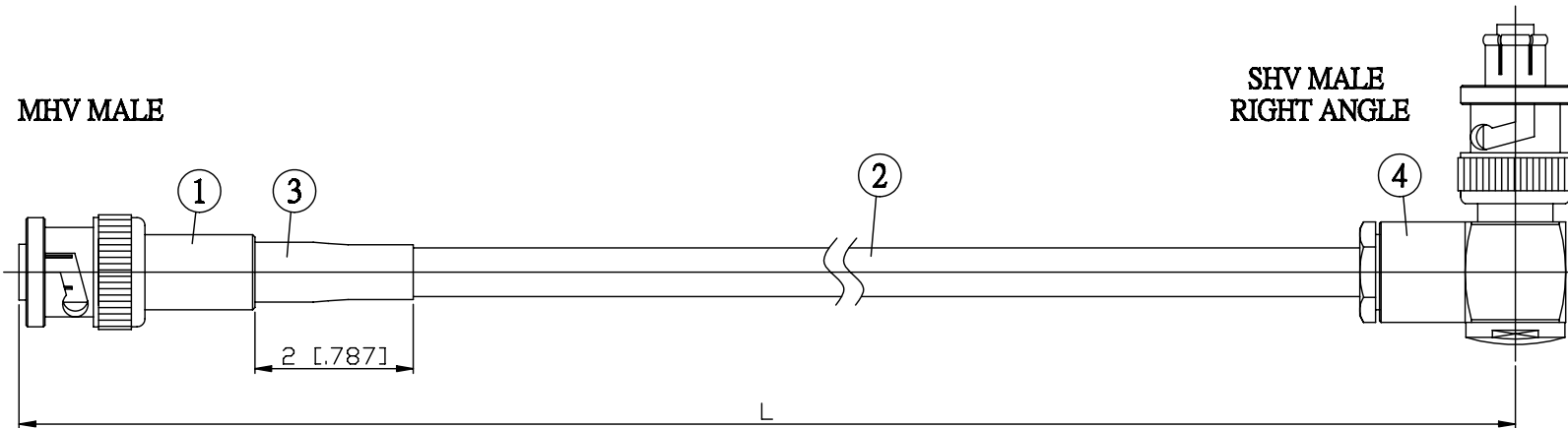


NO.	COMPONENTS	IMPEDANCE
1	MHV MALE	75 OHM
2	RG59	75 OHM
3	HEAT SHRINKING TUBE	
4	SHV MALE RIGHT ANGLE	75 OHM



JYE BAO P/N	L CM (INCH)
H30V39-59-15	15 (5.906)
H30V39-59-30	30 (11.811)
H30V39-59-50	50 (19.685)
H30V39-59-100	100 (39.370)
H30V39-59-150	150 (59.055)
H30V39-59-200	200 (78.740)
H30V39-59-XXX	CUSTOM LENGTH IN CM

LENGTH TOLERANCE IS ±1.5% OR ±10MM, WHICHEVER IS GREATER.	JYE BAO CO., LTD. TAIPEI TAIWAN
	<small>DESCRIPTION</small> CABLE ASSEMBLY MHV PLUG TO SHV PLUG R/A
	<small>JYE BAO DRAWING NO.</small> H30V39-59-XXX