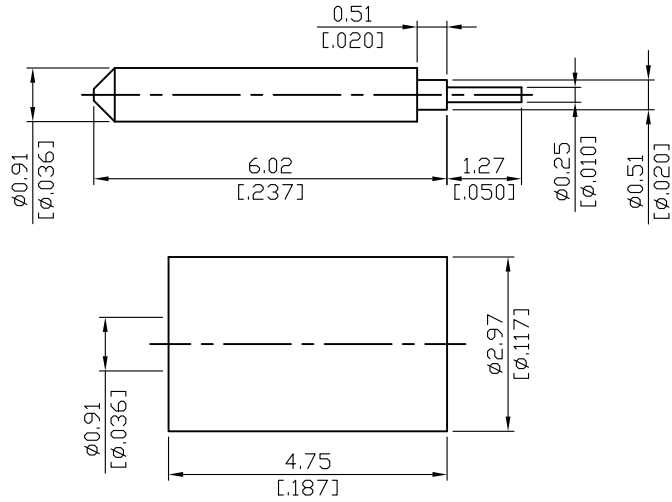
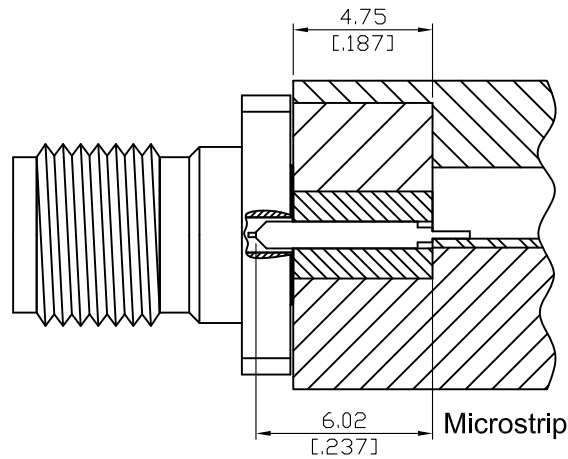


FR036-LAUNCH1

Launch pin & dielectric for $\phi 0.91\text{mm}$ (.036inch) Field Replaceable Connector



Application:



FR036-LAUNCH1 can be used with the following connector PN's:

SMA	
SMA3F26A-0036	SMA8F26EA-EM36
SMA3F26B-0036	SMA8F26EC-EM36
SMA3F46C-0036	SMA8F26EE-EM36
SMA3F46D-0036	SMA8F46EC-EM36
SMA3F26EA-EM36	SMA8F46ED-EM36
SMA3F26EC-EM36	SMA8F26EA-GA36
SMA3F26EE-EM36	SMA8F46EC-GA36
SMA3F46EC-EM36	SMA8F46ED-GA36
SMA3F46ED-EM36	SMA8F00-0036

N
N8F46S-0036
N8F46EC-EM36
N8F46ED-EM36

TNC
TNC8F46S-0036
TNC8F46EC-EM36

PC3.5
PC3.5-8F46F-0036

Parts	Material	Plating (Micro-inch)
Contact Pin	Beryllium Copper	Gold 4 Over Nickel-Phosphorus Alloy 80 Over Copper 20
Insulator	Teflon	

This part number complies with RoHS.

Notice: JYEBAO reserves the right to make modifications deemed appropriate.