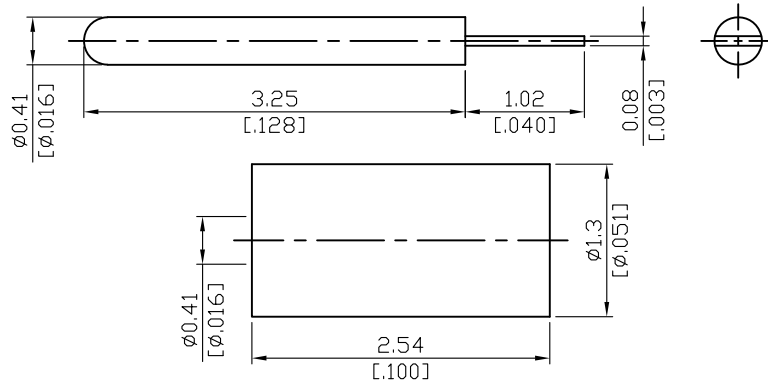
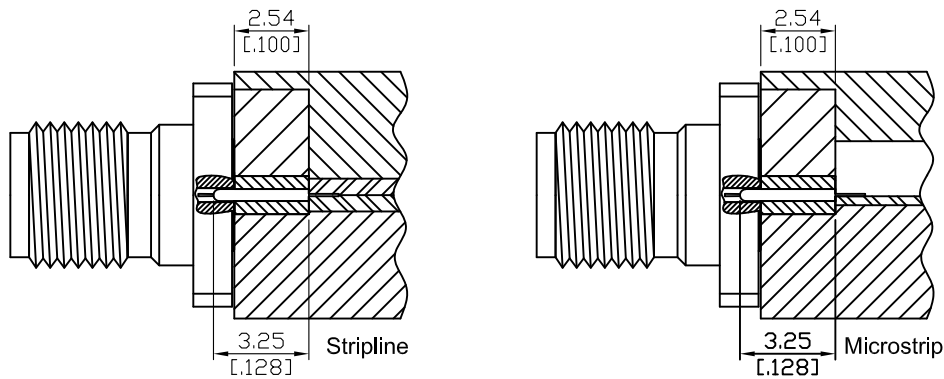


FR020-TAB3

Tab pin & dielectric for  $\phi 0.51\text{mm}$  (.020inch)  
Field Replaceable Connector



Application:



FR020-TAB3 can be used with the following connector PN's:

| SMA            | 2.92mm      | 2.4mm          | TNC            |
|----------------|-------------|----------------|----------------|
| SMA3F26A-0020  | K3F26A-EM20 | 2.4-3F26A-EM20 | TNC8F46EC-EM20 |
| SMA3F26B-0020  | K3F26B-EM20 | 2.4-3F26B-EM20 |                |
| SMA3F46C-0020  | K3F26E-EM20 | 2.4-3F26E-EM20 |                |
| SMA3F46D-0020  | K3F46C-EM20 | 2.4-3F46C-EM20 |                |
| SMA3F26EA-EM20 | K3F46D-EM20 | 2.4-3F46D-EM20 |                |
| SMA3F26EC-EM20 | K8F26A-EM20 | 2.4-8F26A-EM20 |                |
| SMA3F26EE-EM20 | K8F26B-EM20 | 2.4-8F26B-EM20 |                |
| SMA3F46EC-EM20 | K8F26E-EM20 | 2.4-8F26E-EM20 |                |
| SMA3F46ED-EM20 | K8F46C-EM20 | 2.4-8F46C-EM20 |                |
| SMA8F26EA-EM20 | K8F46D-EM20 | 2.4-8F46D-EM20 |                |
| SMA8F26EC-EM20 | K8F26A-GA20 | 2.4-8F26A-GA20 |                |
| SMA8F26EE-EM20 | K8F26B-GA20 | 2.4-8F26B-GA20 |                |
| SMA8F46EC-EM20 | K8F26E-GA20 | 2.4-8F26E-GA20 |                |
| SMA8F46ED-EM20 | K8F46C-GA20 | 2.4-8F46C-GA20 |                |
| SMA8F26EA-GA20 | K8F46D-GA20 | 2.4-8F46D-GA20 |                |
| SMA8F46EC-GA20 |             |                |                |
| SMA8F46ED-GA20 |             |                |                |

| Parts       | Material         | Plating ( Micro-inch )                                |
|-------------|------------------|-------------------------------------------------------|
| Contact Pin | Beryllium Copper | Gold 4 Over Nickel-Phosphorus Alloy 80 Over Copper 20 |
| Insulator   | Teflon           |                                                       |

This part number complies with RoHS.

Notice: JYEBAO reserves the right to make modifications deemed appropriate.