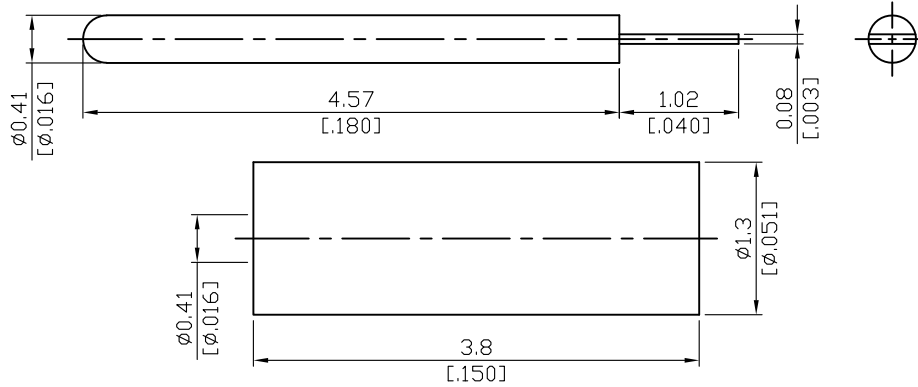
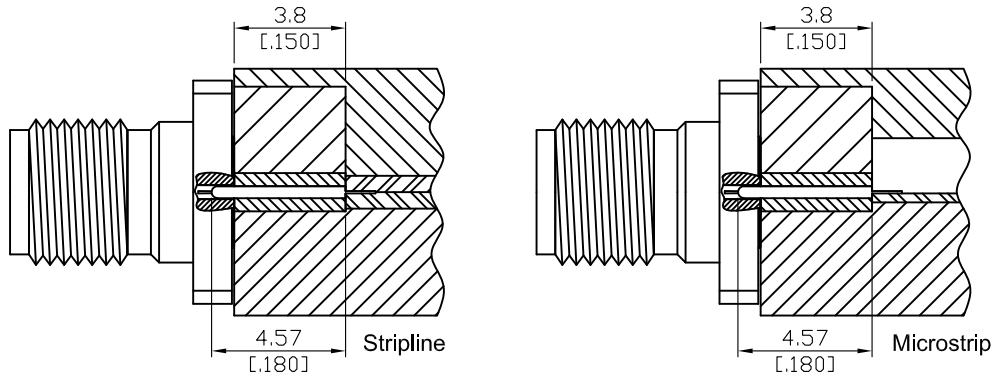


FR020-TAB2

Tab pin & dielectric for  $\phi 0.51\text{mm}$  (.020inch)  
Field Replaceable Connector



Application:



FR020-TAB2 can be used with the following connector PN's:

SMA	2.92mm	2.4mm	TNC
SMA3F26A-0020	K3F26A-EM20	2.4-3F26A-EM20	TNC8F46EC-EM20
SMA3F26B-0020	K3F26B-EM20	2.4-3F26B-EM20	
SMA3F46C-0020	K3F26E-EM20	2.4-3F26E-EM20	
SMA3F46D-0020	K3F46C-EM20	2.4-3F46C-EM20	N
SMA3F26EA-EM20	K3F46D-EM20	2.4-3F46D-EM20	N8F46EC-EM20
SMA3F26EC-EM20	K8F26A-EM20	2.4-8F26A-EM20	N8F46ED-EM20
SMA3F26EE-EM20	K8F26B-EM20	2.4-8F26B-EM20	
SMA3F46EC-EM20	K8F26E-EM20	2.4-8F26E-EM20	
SMA3F46ED-EM20	K8F46C-EM20	2.4-8F46C-EM20	
SMA8F26EA-EM20	K8F46D-EM20	2.4-8F46D-EM20	
SMA8F26EC-EM20	K8F26A-GA20	2.4-8F26A-GA20	
SMA8F26EE-EM20	K8F26B-GA20	2.4-8F26B-GA20	
SMA8F46EC-EM20	K8F26E-GA20	2.4-8F26E-GA20	
SMA8F46ED-EM20	K8F46C-GA20	2.4-8F46C-GA20	
SMA8F26EA-GA20	K8F46D-GA20	2.4-8F46D-GA20	
SMA8F46EC-GA20			
SMA8F46ED-GA20			

Parts	Material	Plating ( Micro-inch )
Contact Pin	Beryllium Copper	Gold 4 Over Nickel-Phosphorus Alloy 80 Over Copper 20
Insulator	Teflon	

This part number complies with RoHS.

Notice: JYEBAO reserves the right to make modifications deemed appropriate.