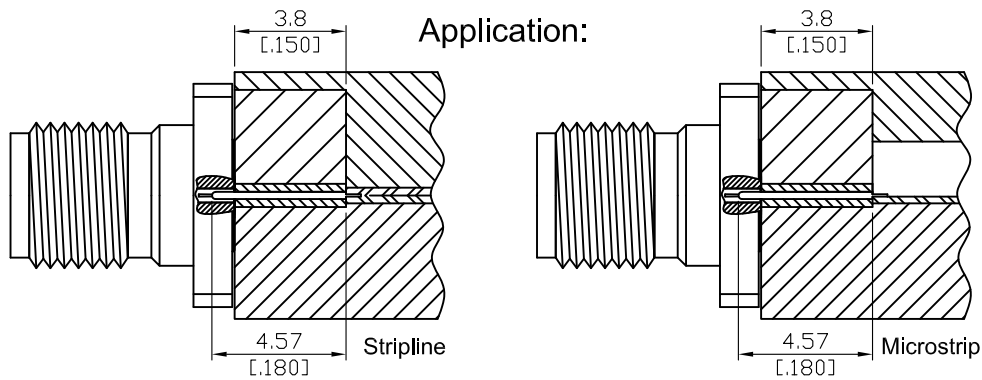
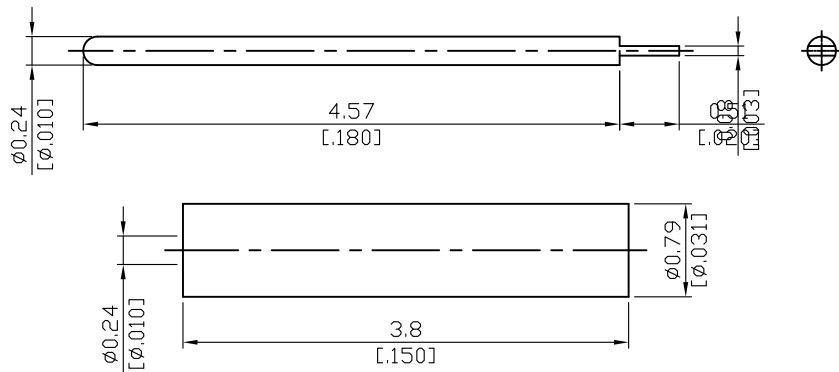


FR012-TAB3

Tab pin & dielectric for $\phi 0.3\text{mm}$ (.012inch) Field Replaceable Connector



FR012-TAB3 can be used with the following connector PN's:

1.85mm	2.4mm	2.92mm	SMA	SMP
1.85-3F26A-EM12	2.4-3F26A-EM12	K3F26A-EM12	SMA3F26A-0012	SMP3F26A-FD12
1.85-3F26B-EM12	2.4-3F26B-EM12	K3F26B-EM12	SMA3F26B-0012	SMP3F26A-LD12
1.85-3F26E-EM12	2.4-3F26E-EM12	K3F26E-EM12	SMA3F46C-0012	SMP3F26A-SB12
1.85-3F46C-EM12	2.4-3F46C-EM12	K3F46C-EM12	SMA3F46D-0012	
1.85-3F46D-EM12	2.4-3F46D-EM12	K3F46D-EM12	SMA3F26EA-EM12	
1.85-8F26A-EM12	2.4-8F26A-EM12	K8F26A-EM12	SMA3F26EC-EM12	
1.85-8F26B-EM12	2.4-8F26B-EM12	K8F26B-EM12	SMA3F26EE-EM12	
1.85-8F26E-EM12	2.4-8F26E-EM12	K8F26E-EM12	SMA3F46EC-EM12	
1.85-8F46C-EM12	2.4-8F46C-EM12	K8F46C-EM12	SMA3F46ED-EM12	
1.85-8F46D-EM12	2.4-8F46D-EM12	K8F46D-EM12	SMA8F26EA-EM12	
1.85-8F26A-GA12	2.4-8F26A-GA12	K8F26A-GA12	SMA8F26EC-EM12	
1.85-8F26B-GA12	2.4-8F26B-GA12	K8F26B-GA12	SMA8F26EE-EM12	
1.85-8F26E-GA12	2.4-8F26E-GA12	K8F26E-GA12	SMA8F46EC-EM12	
1.85-8F46C-GA12	2.4-8F46C-GA12	K8F46C-GA12	SMA8F46ED-EM12	
1.85-8F46D-GA12	2.4-8F46D-GA12	K8F46D-GA12	SMA8F26EA-GA12	
			SMA8F26EC-GA12	
			SMA8F26EE-GA12	
			SMA8F46EC-GA12	
			SMA8F46ED-GA12	

SSMA
SSMA8F26E-0012

Parts	Material	Plating (Micro-inch)
Contact Pin	Beryllium Copper	Gold 4 Over Nickel-Phosphorus Alloy 80 Over Copper 20
Insulator	Teflon	

This part number complies with RoHS.

Notice: JYEBAO reserves the right to make modifications deemed appropriate.