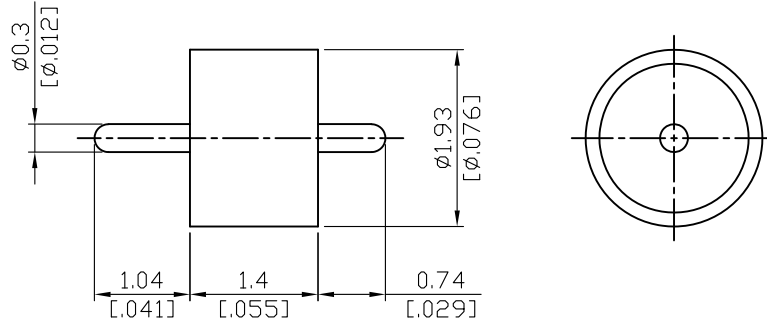


FR012-SEAL2	Hermetic Seal For $\phi 0.3\text{mm}(.012\text{inch})$ Field Replaceable Connector	50 Ω
-------------	---	-------------



Hermiticity of 1×10^{-8} cc/sec helium at 1atm

FR012-LAUNCH1 can be used with the following connector PN's:

SMA	2.92mm	2.4mm
SMA8F46EC-EM12	K8F46C-EM12	2.4-8F46C-EM12
SMA8F46ED-EM12	K8F46D-EM12	2.4-8F46D-EM12
SMA8F26EA-EM12	K8F26A-EM12	2.4-8F26A-EM12
SMA8F26EC-EM12	K8F26B-EM12	2.4-8F26B-EM12
SMA8F26EE-EM12	K8F26E-EM12	2.4-8F26E-EM12

Parts	Material	Plating (Micro-inch)
Outer Ring	Kovar	Gold 50 Over Nickel 100
Insulator	Glass (7070 or equivalent)	
Pin	Kovar	Gold 50 Over Nickel 100

--	--

This part number complies with RoHS.

Notice: JYEBAO reserves the right to make modifications deemed appropriate.