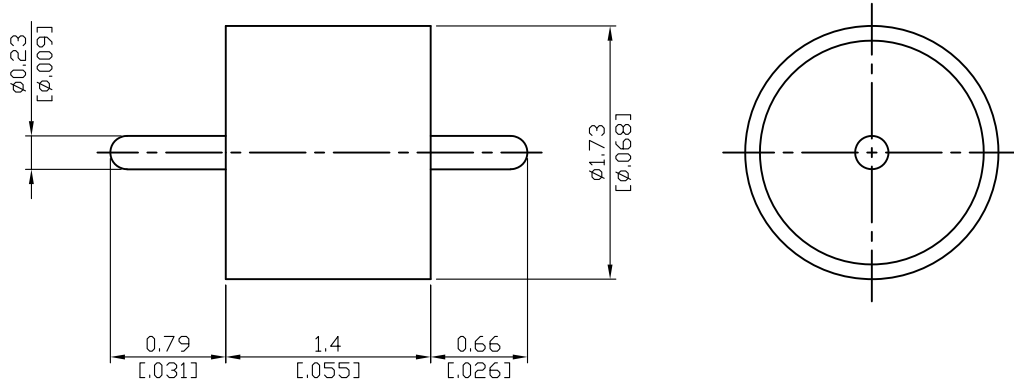


FR009-SEAL1	Hermetic Seal For $\phi 0.23\text{mm}(.009\text{inch})$ Field Replaceable Connector	50 $\Omega$
-------------	--	-------------



Hermiticity of  $1 \times 10^{-8}$  cc/sec helium at 1atm.

FR009-SEAL1 can be used with the following connector PN's:

SMA	2.92mm	2.4mm	1.85mm
SMA8F46EC-EM09	K8F46C-EM09	2.4-8F46C-EM09	1.85-8F46C-EM09
SMA8F46ED-EM09	K8F46D-EM09	2.4-8F46D-EM09	1.85-8F46D-EM09
SMA8F26EA-EM09	K8F26A-EM09	2.4-8F26A-EM09	1.85-8F26A-EM09
SMA8F26EC-EM09	K8F26B-EM09	2.4-8F26B-EM09	1.85-8F26B-EM09
SMA8F26EE-EM09	K8F26E-EM09	2.4-8F26E-EM09	1.85-8F26E-EM09

Parts	Material	Plating ( Micro-inch )
Outer Ring	Kovar	Gold 50 Over Nickel 100
Insulator	Glass (7070 or equivalent)	
Pin	Kovar	Gold 50 Over Nickel 100

--	--

This part number complies with RoHS.

Notice: JYEBAO reserves the right to make modifications deemed appropriate.