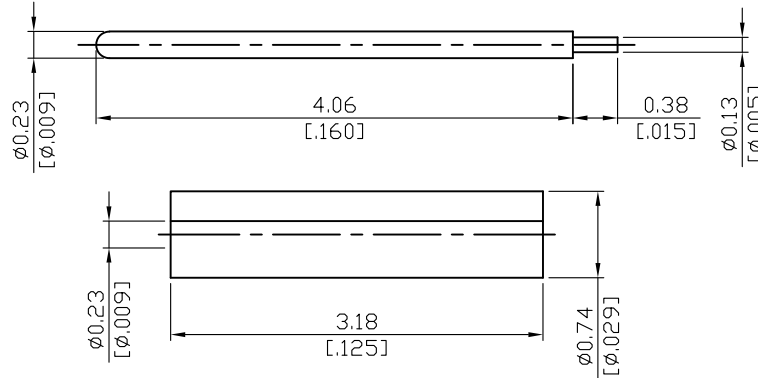
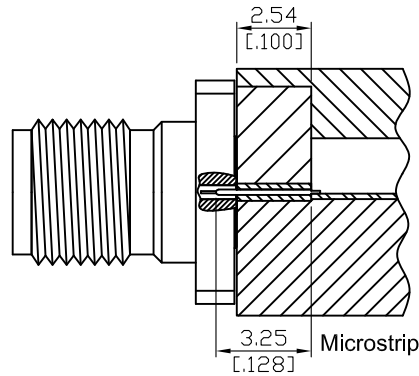


FR009-LAUNCH2

Launch pin & dielectric for $\phi 0.23\text{mm}$ (.009inch) Field Replaceable Connector



Application:



FR009-LAUNCH2 can be used with the following connector PN's:

SMA	2.92mm	2.4mm	1.85mm	1.0mm
SMA3F26EA-EM09	K3F26A-EM09	2.4-3F26A-EM09	1.85-3F26A-EM09	1.0-8F26B-EM09
SMA3F26EC-EM09	K3F26B-EM09	2.4-3F26B-EM09	1.85-3F26B-EM09	1.0-8F46D-EM09
SMA3F26EE-EM09	K3F26E-EM09	2.4-3F26E-EM09	1.85-3F26E-EM09	1.0-8FTI-EM09
SMA3F46EC-EM09	K3F46C-EM09	2.4-3F46C-EM09	1.85-3F46C-EM09	
SMA3F46ED-EM09	K3F46D-EM09	2.4-3F46D-EM09	1.85-3F46D-EM09	
SMA8F26EA-EM09	K8F26A-EM09	2.4-8F26A-EM09	1.85-8F26A-EM09	
SMA8F26EC-EM09	K8F26B-EM09	2.4-8F26B-EM09	1.85-8F26B-EM09	
SMA8F26EE-EM09	K8F26E-EM09	2.4-8F26E-EM09	1.85-8F26E-EM09	
SMA8F46EC-EM09	K8F46C-EM09	2.4-8F46C-EM09	1.85-8F46C-EM09	
SMA8F46ED-EM09	K8F46D-EM09	2.4-8F46D-EM09	1.85-8F46D-EM09	
SMA8F26EA-GA09	K8F26A-GA09	2.4-8F26A-GA09	1.85-8F26A-GA09	
SMA8F26EC-GA09	K8F26B-GA09	2.4-8F26B-GA09	1.85-8F26B-GA09	
SMA8F26EE-GA09	K8F26E-GA09	2.4-8F26E-GA09	1.85-8F26E-GA09	
SMA8F46EC-GA09	K8F46C-GA09	2.4-8F46C-GA09	1.85-8F46C-GA09	
SMA8F46ED-GA09	K8F46D-GA09	2.4-8F46D-GA09	1.85-8F46D-GA09	

Parts	Material	Plating (Micro-inch)
Contact Pin	Beryllium Copper	Gold 4 Over Nickel-Phosphorus Alloy 80 Over Copper 20
Insulator	Teflon	

This part number complies with RoHS.

Notice: JYEBAO reserves the right to make modifications deemed appropriate.