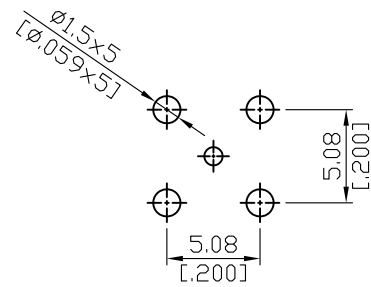
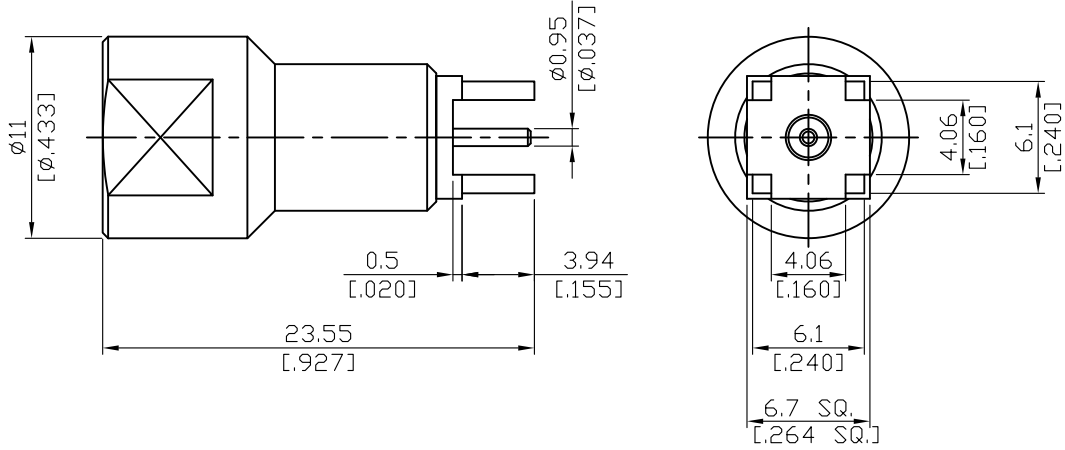


FME3400-0000

FME Plug PCB Mount
With Round Contact ($\Phi 0.95$); 2GHz VSWR 1.2 50 Ω



Parts	Material	Plating (Micro-inch)
Contact Pin	Brass	Gold 4 Over Nickel-Phosphorus Alloy 80 Over Copper 20
Insulator	Teflon	
Body	Brass	Tin-Zinc-Copper-Alloy 100 Over Copper 50

This part number complies with RoHS.

Notice: JYEBAO reserves the right to make modifications deemed appropriate.

FME	FME3400-0000																		
<div data-bbox="113 327 513 376" style="border: 1px solid black; padding: 2px;">Electrical Data</div> <table style="width: 100%; border-collapse: collapse;"> <tr> <td style="width: 50%;">Impedance</td> <td style="width: 50%;">50Ω</td> </tr> <tr> <td>Frequency range</td> <td>DC to 2GHz</td> </tr> <tr> <td>VSWR</td> <td>≤ 1.2 (DC to 2GHz)</td> </tr> <tr> <td>Insertion loss</td> <td>≤ 0.1dB (at 1GHz)</td> </tr> <tr> <td>Insulation resistance</td> <td>≥ 5000MΩ</td> </tr> <tr> <td>Contact resistance inner conductor</td> <td>≤ 10mΩ</td> </tr> <tr> <td>Contact resistance outer conductor</td> <td>≤ 5mΩ</td> </tr> <tr> <td>Dielectric withstanding voltage (at sea level)</td> <td>1000 V rms</td> </tr> <tr> <td>Working Voltage (at sea level)</td> <td>500 V rms</td> </tr> </table>		Impedance	50Ω	Frequency range	DC to 2GHz	VSWR	≤ 1.2 (DC to 2GHz)	Insertion loss	≤ 0.1dB (at 1GHz)	Insulation resistance	≥ 5000MΩ	Contact resistance inner conductor	≤ 10mΩ	Contact resistance outer conductor	≤ 5mΩ	Dielectric withstanding voltage (at sea level)	1000 V rms	Working Voltage (at sea level)	500 V rms
Impedance	50Ω																		
Frequency range	DC to 2GHz																		
VSWR	≤ 1.2 (DC to 2GHz)																		
Insertion loss	≤ 0.1dB (at 1GHz)																		
Insulation resistance	≥ 5000MΩ																		
Contact resistance inner conductor	≤ 10mΩ																		
Contact resistance outer conductor	≤ 5mΩ																		
Dielectric withstanding voltage (at sea level)	1000 V rms																		
Working Voltage (at sea level)	500 V rms																		
<div data-bbox="113 920 513 969" style="border: 1px solid black; padding: 2px;">Mechanical Data</div> <table style="width: 100%; border-collapse: collapse;"> <tr> <td style="width: 50%;">Coupling torque</td> <td style="width: 50%;">≤ 17.7 inch lbs</td> </tr> <tr> <td>Durability (mating)</td> <td>≥ 500</td> </tr> </table>		Coupling torque	≤ 17.7 inch lbs	Durability (mating)	≥ 500														
Coupling torque	≤ 17.7 inch lbs																		
Durability (mating)	≥ 500																		
<div data-bbox="113 1229 513 1279" style="border: 1px solid black; padding: 2px;">Environmental Data</div> <table style="width: 100%; border-collapse: collapse;"> <tr> <td style="width: 50%;">Temperature range</td> <td style="width: 50%;">-55°C to +165°C</td> </tr> <tr> <td>Corrosion</td> <td>MIL-STD-202, Method 101, Condition B</td> </tr> <tr> <td>RoHS</td> <td>Compliant</td> </tr> </table>		Temperature range	-55°C to +165°C	Corrosion	MIL-STD-202, Method 101, Condition B	RoHS	Compliant												
Temperature range	-55°C to +165°C																		
Corrosion	MIL-STD-202, Method 101, Condition B																		
RoHS	Compliant																		
<div data-bbox="113 1527 513 1576" style="border: 1px solid black; padding: 2px;">Tooling</div>																			

Notice: JYEBAO reserves the right to make modifications deemed appropriate.