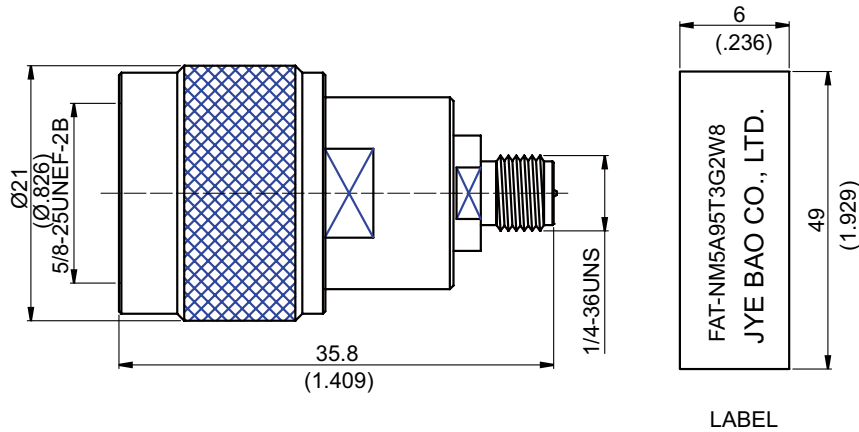


FAT-NM5A95T3G2W8

3GHz N Plug To SMA Reverse Polarity Jack Fixed Attenuator



Nominal impedance: 50Ω±0.25Ω over operating temperature range.
 Operating temperature range: -50 degrees Celcius to +80 degrees Celcius.
 VSWR deviation: ±0.1% over operating temperature range.
 Power rating: 2W over operating temperature range.
 Power Rating (Peak): 100W for 25 Microseconds.
 Power Coefficient: 0.001dB/W (change in attenuation with increase in power).
 Temperature Coefficient: 0.001dB/Deg. C max., 0.0003dB/Deg.C typ.

| Attenuation | VSWR | | Attenuation deviation (+/-dB) | |
|-------------|---------|--------|-------------------------------|----------|
| | DC-2GHz | 2-3GHz | DC-2GHz | 2-3GHz |
| 8dB | ≤1.1 | ≤1.25 | +/-0.2dB | +/-0.3dB |

| Parts | Material | Plating (Micro-inch) |
|------------------|------------------|--|
| Body | Brass | Tin-Zinc-Copper-Alloy 100 Over Copper 50 |
| Insulator | Teflon | |
| Contact Pin(SMA) | Phospher Bronze | Gold 20 Over Nickel 50 Over Copper 50 |
| Renbrock Ring | Beryllium Copper | Tin-Zinc-Copper-Alloy 100 Over Copper 50 |
| Gasket | Silicon | |
| Contact Pin(N) | Brass | Gold 5 Over Nickel 50 Over Copper 50 |
| Coupling Nut | Brass | Tin-Zinc-Copper-Alloy 100 Over Copper 50 |

Weight:

This part number complies with RoHS.

Notice: JYEBAO reserves the right to make modifications deemed appropriate.