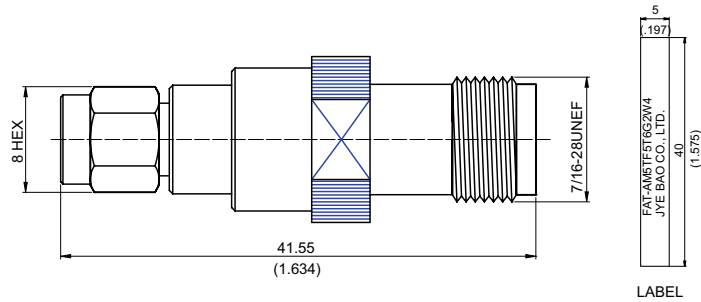


FAT-AM5TF5T6G2W4

6GHz SMA Plug To TNC Jack Fixed Attenuator



Nominal impedance: 50Ω+/-0.25Ω over operating temperature range.

Operating temperature range: -50 degrees Celcius to +80 degrees Celcius.

VSWR deviation: +/-0.1% over operating temperature range.

Power rating: 2W over operating temperature range.

Power Rating (Peak): 100W for 25 Microseconds.

Power Coefficient: 0.001dB/W (change in attenuation with increase in power).

Temperature Coefficient: 0.001dB/Deg. C max., 0.0003dB/Deg.C typ.

Attenuation	VSWR			Attenuation deviation (+/-dB)		
	DC-2GHz	2-5GHz	5-6GHz	DC-2GHz	2-5GHz	5-6GHz
4dB	≤1.1	≤1.25	≤1.35	+/-0.2dB	+/-0.3dB	+/-0.5dB

Parts	Material	Plating (Micro-inch)
Body	Brass	Tin-Zinc-Copper-Alloy 100 Over Copper 50
Insulator	Teflon	
Contact Pin	Phospher Bronze	Gold 20 Over Nickel 50 Over Copper 50
Renbrock Ring	Beryllium Copper	Tin-Zinc-Copper-Alloy 100 Over Copper 50
Gasket	Silicon	
Coupling Nut	Brass	Tin-Zinc-Copper-Alloy 100 Over Copper 50

Weight:

This part number complies with RoHS.

Notice: JYEBAO reserves the right to make modifications deemed appropriate.