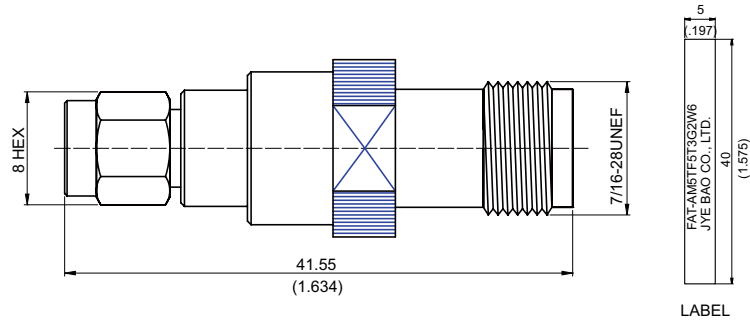


FAT-AM5TF5T3G2W6

3GHz SMA Plug To TNC Jack Fixed Attenuator



Nominal impedance: 50Ω±0.25Ω over operating temperature range.  
 Operating temperature range: -50 degrees Celcius to +80 degrees Celcius.  
 VSWR deviation: ±0.1% over operating temperature range.  
 Power rating: 2W over operating temperature range.  
 Power Rating (Peak): 100W for 25 Microseconds.  
 Power Coefficient: 0.001dB/W (change in attenuation with increase in power).  
 Temperature Coefficient: 0.001dB/Deg. C max., 0.0003dB/Deg.C typ.

Attenuation	VSWR		Attenuation deviation (+/-dB)	
	DC-2GHz	2-3GHz	DC-2GHz	2-3GHz
6dB	≤1.1	≤1.25	+/-0.2dB	+/-0.3dB

Parts	Material	Plating (Micro-inch)
Body	Brass	Tin-Zinc-Copper-Alloy 100 Over Copper 50
Insulator	Teflon	
Contact Pin	Phosphor Bronze	Gold 20 Over Nickel 50 Over Copper 50
Renbrock Ring	Beryllium Copper	Tin-Zinc-Copper-Alloy 100 Over Copper 50
Gasket	Silicon	
Coupling Nut	Brass	Tin-Zinc-Copper-Alloy 100 Over Copper 50

Weight:

**This part number complies with RoHS.**

**Notice: JYEBAO reserves the right to make modifications deemed appropriate.**