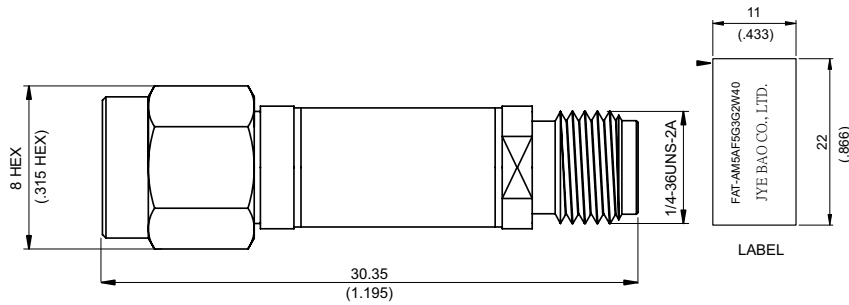


FAT-AM5AF5G3G2W40

3GHz SMA Plug To SMA Jack Fixed Attenuator



Nominal impedance: 50Ω±0.25Ω over operating temperature range.
 Operating temperature range: -50 degrees Celcius to +80 degrees Celcius.
 VSWR deviation: ±0.1% over operating temperature range.
 Power rating: 2W over operating temperature range.
 Power Rating (Peak): 100W for 25 Microseconds.
 Power Coefficient: 0.001dB/W (change in attenuation with increase in power).
 Temperature Coefficient: 0.001dB/Deg. C max., 0.0003dB/Deg.C typ.

| Attenuation | VSWR | | Attenuation deviation (+/-dB) | |
|-------------|---------|--------|-------------------------------|----------|
| | DC-2GHz | 2-3GHz | DC-2GHz | 2-3GHz |
| 40dB | ≤1.1 | ≤1.25 | +/-0.4dB | +/-0.6dB |

| Parts | Material | Plating (Micro-inch) |
|--------------|------------------|---------------------------------------|
| Contact Pin | Beryllium Copper | Gold 10 Over Nickel 50 Over Copper 50 |
| Body | Brass | Gold 5 Over Nickel 50 Over Copper 50 |
| Gasket | Silicon | |
| Insulator | Teflon | |
| Coupling Nut | Brass | Gold 5 Over Nickel 50 Over Copper 50 |

Weight: 5.86 g

This part number complies with RoHS.

Notice: JYEBAO reserves the right to make modifications deemed appropriate.