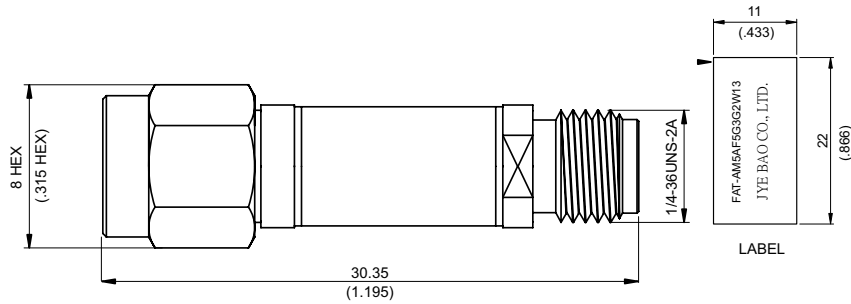


**FAT-AM5AF5G3G2W13**

**3GHz SMA Plug To SMA Jack Fixed Attenuator**



Nominal impedance: 50Ω±0.25Ω over operating temperature range.  
 Operating temperature range: -50 degrees Celcius to +80 degrees Celcius.  
 VSWR deviation: ±0.1% over operating temperature range.  
 Power rating: 2W over operating temperature range.  
 Power Rating (Peak): 100W for 25 Microseconds.  
 Power Coefficient: 0.001dB/W (change in attenuation with increase in power).  
 Temperature Coefficient: 0.001dB/Deg. C max., 0.0003dB/Deg.C typ.

| Attenuation | VSWR    |        | Attenuation deviation (+/-dB) |          |
|-------------|---------|--------|-------------------------------|----------|
|             | DC-2GHz | 2-3GHz | DC-2GHz                       | 2-3GHz   |
| 13dB        | ≤1.1    | ≤1.25  | +/-0.4dB                      | +/-0.6dB |

| Parts        | Material         | Plating (Micro-inch)                  |
|--------------|------------------|---------------------------------------|
| Contact Pin  | Beryllium Copper | Gold 10 Over Nickel 50 Over Copper 50 |
| Body         | Brass            | Gold 5 Over Nickel 50 Over Copper 50  |
| Gasket       | Silicon          |                                       |
| Insulator    | Teflon           |                                       |
| Coupling Nut | Brass            | Gold 5 Over Nickel 50 Over Copper 50  |

Weight: 5.86 g

**This part number complies with RoHS.**

**Notice: JYEBAO reserves the right to make modifications deemed appropriate.**