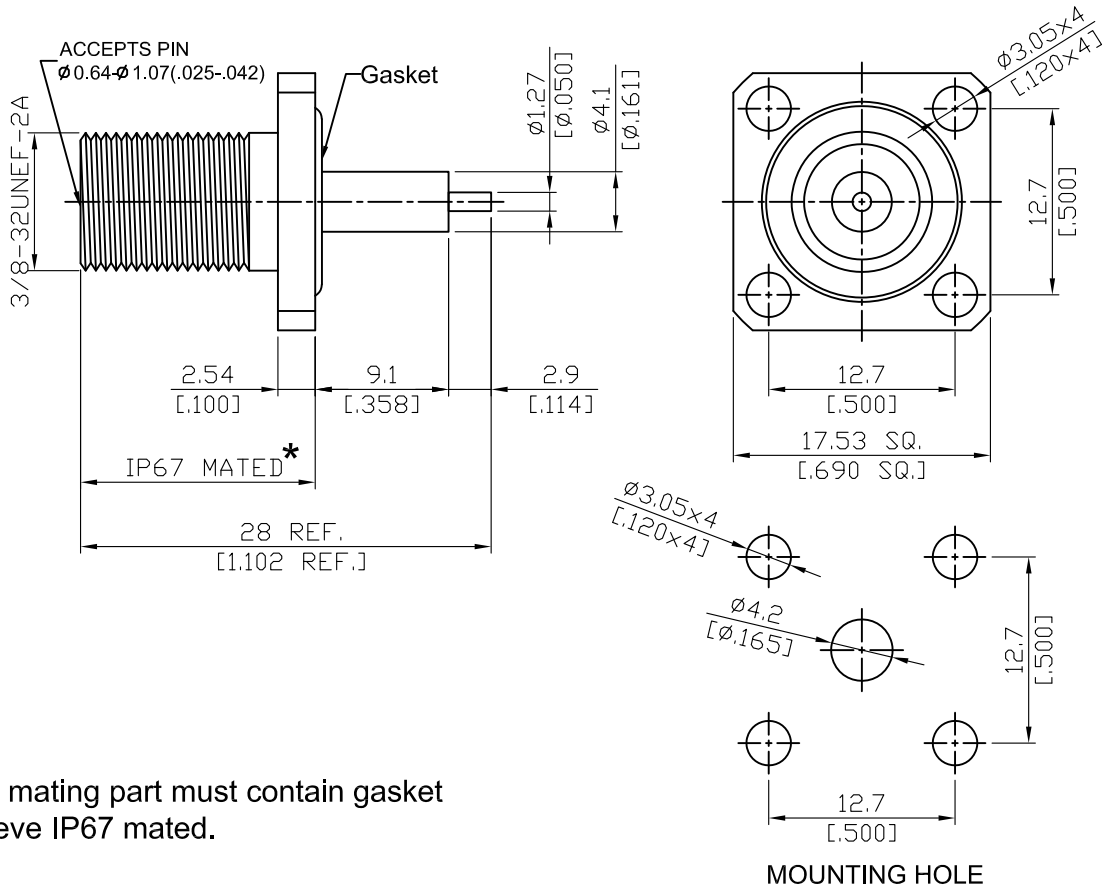


F8640C-0000

F Jack SQ 17.5mm 4 Hole Flange With Round Contact
($\Phi 1.27$; L=2.9), PTFE L=9.1; IP67 Mated; 2GHz VSWR 1.2

75 Ω



*F plug mating part must contain gasket to achieve IP67 mated.

Parts	Material	Plating (Micro-inch)
Gasket	Silicone	
Insulator	PE	
Contact Pin	Beryllium Copper	Tin-Zinc-Copper-Alloy 100 Over Copper 50
Insulator	Teflon	
Body	Brass	Tin-Zinc-Copper-Alloy 100 Over Copper 50

This part number complies with RoHS.

Notice: JYEBAO reserves the right to make modifications deemed appropriate.

F	F8640C-0000																		
<div data-bbox="113 327 513 376" style="border: 1px solid black; padding: 2px;">Interface</div> <p>IEC 61169-24</p>																			
<div data-bbox="113 490 513 539" style="border: 1px solid black; padding: 2px;">Electrical Data</div> <table border="0" style="width: 100%;"> <tr> <td style="width: 50%;">Impedance</td> <td style="width: 50%;">75Ω</td> </tr> <tr> <td>Frequency range</td> <td>DC to 2GHz</td> </tr> <tr> <td>VSWR</td> <td>≤ 1.2 (DC to 2GHz)</td> </tr> <tr> <td>Insertion loss</td> <td>≤ 0.1dB at 1GHz; ≤ 0.2dB at 2GHz; ≤ 0.3dB at 3GHz</td> </tr> <tr> <td>Insulation resistance</td> <td>≥ 10000MΩ</td> </tr> <tr> <td>Contact resistance inner conductor</td> <td>≤ 5mΩ</td> </tr> <tr> <td>Contact resistance outer conductor</td> <td>≤ 2.5mΩ</td> </tr> <tr> <td>Dielectric withstanding voltage (at sea level)</td> <td>1500 V rms</td> </tr> <tr> <td>Working Voltage (at sea level)</td> <td>500 V rms</td> </tr> </table>		Impedance	75Ω	Frequency range	DC to 2GHz	VSWR	≤ 1.2 (DC to 2GHz)	Insertion loss	≤ 0.1dB at 1GHz; ≤ 0.2dB at 2GHz; ≤ 0.3dB at 3GHz	Insulation resistance	≥ 10000MΩ	Contact resistance inner conductor	≤ 5mΩ	Contact resistance outer conductor	≤ 2.5mΩ	Dielectric withstanding voltage (at sea level)	1500 V rms	Working Voltage (at sea level)	500 V rms
Impedance	75Ω																		
Frequency range	DC to 2GHz																		
VSWR	≤ 1.2 (DC to 2GHz)																		
Insertion loss	≤ 0.1dB at 1GHz; ≤ 0.2dB at 2GHz; ≤ 0.3dB at 3GHz																		
Insulation resistance	≥ 10000MΩ																		
Contact resistance inner conductor	≤ 5mΩ																		
Contact resistance outer conductor	≤ 2.5mΩ																		
Dielectric withstanding voltage (at sea level)	1500 V rms																		
Working Voltage (at sea level)	500 V rms																		
<div data-bbox="113 1133 513 1182" style="border: 1px solid black; padding: 2px;">Mechanical Date</div> <table border="0" style="width: 100%;"> <tr> <td style="width: 50%;">Recommended coupling nut torque</td> <td style="width: 50%;">15 to 20 inch lbs</td> </tr> <tr> <td>Coupling proof torque</td> <td>60 inch lbs</td> </tr> <tr> <td>Durability (mating)</td> <td>≥ 500</td> </tr> <tr> <td>Accepts male pin size</td> <td>Φ0.64~Φ1.07(Φ.025~Φ0.042)</td> </tr> </table>		Recommended coupling nut torque	15 to 20 inch lbs	Coupling proof torque	60 inch lbs	Durability (mating)	≥ 500	Accepts male pin size	Φ0.64~Φ1.07(Φ.025~Φ0.042)										
Recommended coupling nut torque	15 to 20 inch lbs																		
Coupling proof torque	60 inch lbs																		
Durability (mating)	≥ 500																		
Accepts male pin size	Φ0.64~Φ1.07(Φ.025~Φ0.042)																		
<div data-bbox="113 1485 513 1534" style="border: 1px solid black; padding: 2px;">Environmental Data</div> <table border="0" style="width: 100%;"> <tr> <td style="width: 50%;">Temperature range</td> <td style="width: 50%;">-40°C to +80°C</td> </tr> <tr> <td>Thermal shock</td> <td>MIL-STD-202, Method 107, Condition B</td> </tr> <tr> <td>Moisture resistance</td> <td>MIL-STD-202, Method 106</td> </tr> <tr> <td>Corrosion</td> <td>MIL-STD-202, Method 101, Condition B</td> </tr> <tr> <td>RoHS</td> <td>Compliant</td> </tr> </table>		Temperature range	-40°C to +80°C	Thermal shock	MIL-STD-202, Method 107, Condition B	Moisture resistance	MIL-STD-202, Method 106	Corrosion	MIL-STD-202, Method 101, Condition B	RoHS	Compliant								
Temperature range	-40°C to +80°C																		
Thermal shock	MIL-STD-202, Method 107, Condition B																		
Moisture resistance	MIL-STD-202, Method 106																		
Corrosion	MIL-STD-202, Method 101, Condition B																		
RoHS	Compliant																		
<div data-bbox="113 1836 513 1886" style="border: 1px solid black; padding: 2px;">Tooling</div>																			