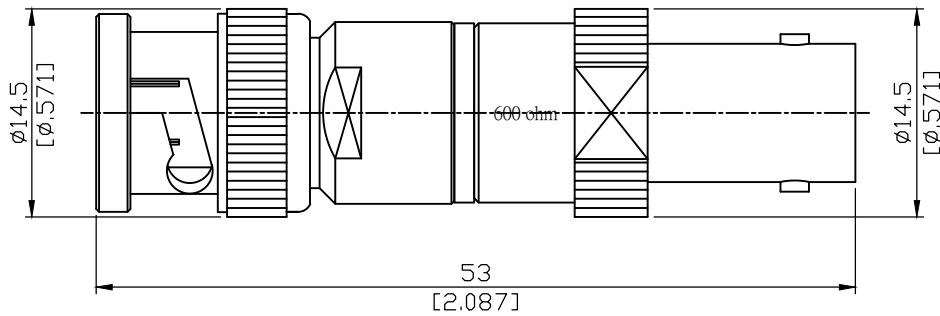


F-BMBF-0.5G2W600

600ohm BNC Plug To BNC Jack Feedthru
Termination Up To 500MHz Rated 2W

600Ω



VSWR 1.10 : 1 Max up to 250MHz; 1.20 : 1 Max up to 500MHz
Power: 2W
Impedance: 600Ω ± 2%

Parts	Material	Plating (Micro-inch)
Cable		
Chip Resistor		1.2K ohm
Contact Body	Brass	Tin-Zinc-Copper-Alloy 100 Over Copper 50
Spring	SK 5	Tin-Zinc-Copper-Alloy 100 Over Copper 50
Washer	Brass	Tin-Zinc-Copper-Alloy 100 Over Copper 50
Gasket	Silicone	
Contact Pin	Brass	Gold 4 Over Nickel-Phosphorus Alloy 80 Over Copper 20
Contact Pin	P.Bronze	Gold 4 Over Nickel-Phosphorus Alloy 80 Over Copper 20
Insulator	Teflon	
Body	Brass	Tin-Zinc-Copper-Alloy 100 Over Copper 50
Coupling Nut	Brass	Tin-Zinc-Copper-Alloy 100 Over Copper 50

This part number complies with RoHS.

Notice: JYEBAO reserves the right to make modifications demand appropriate.