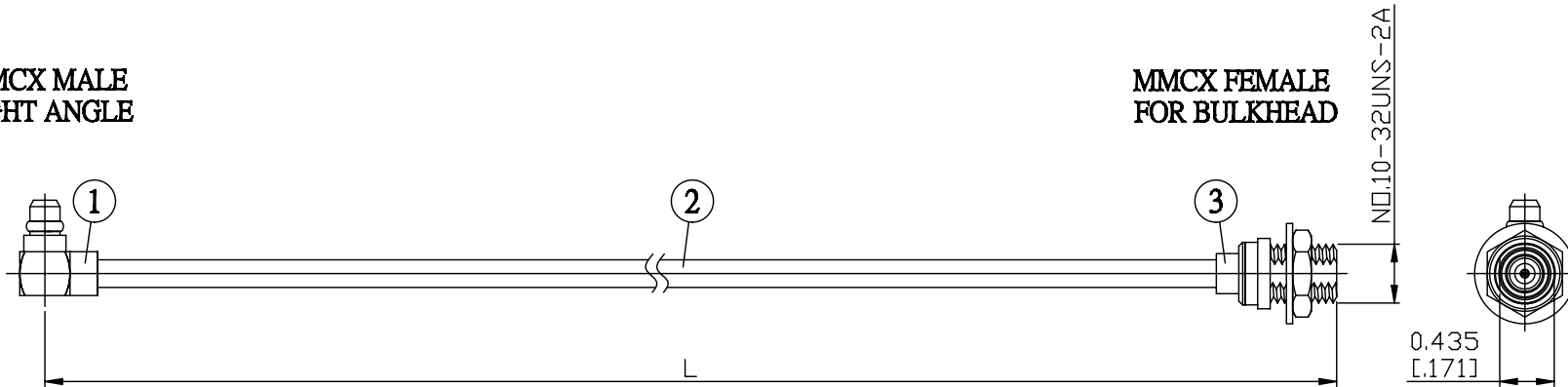


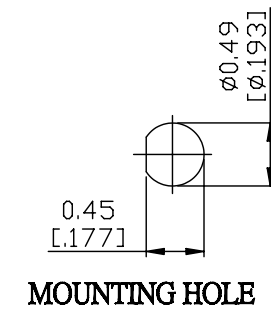
NO.	COMPONENTS	IMPEDANCE
1	MMCX MALE RIGHT ANGLE	50 OHM
2	.085" TIN PLATED SEMI-RIGID CABLE (TIN PLATED RG405)	50 OHM
3	MMCX FEMALE FOR BULKHEAD	50 OHM

MMCX MALE  
RIGHT ANGLE

MMCX FEMALE  
FOR BULKHEAD



JYE BAO P/N	L CM (INCH)
E39E85-85T-15	15 (5.906)
E39E85-85T-30	30 (11.811)
E39E85-85T-50	50 (19.685)
E39E85-85T-100	100 (39.370)
E39E85-85T-150	150 (59.055)
E39E85-85T-200	200 (78.740)
E39E85-85T-XXX	CUSTOM LENGTH IN CM



MOUNTING HOLE

<p>LENGTH TOLERANCE IS <math>\pm 1.5\%</math> OR <math>\pm 10\text{MM}</math>, WHICHEVER IS GREATER.</p>	<p><b>JYE BAO CO., LTD.</b></p> <p>TAIPEI TAIWAN</p>
	<p>DESCRIPTION CABLE ASSEMBLY MMCX PLUG R/A TO MMCX JACK FOR BULKHEAD</p>
	<p>JYE BAO DRAWING NO. E39E85-85T-XXX</p>