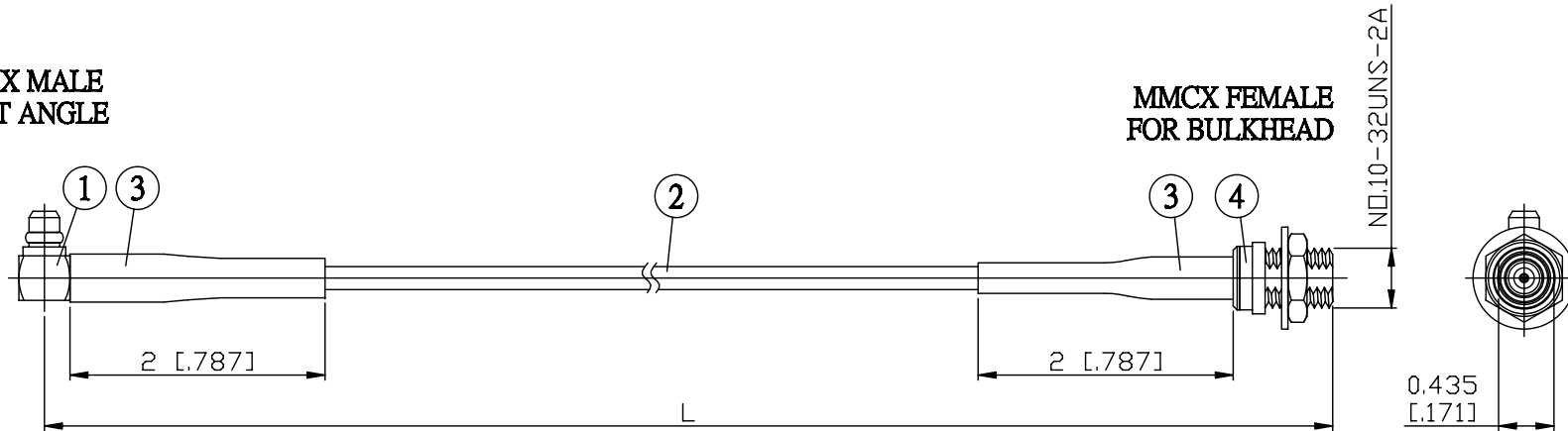


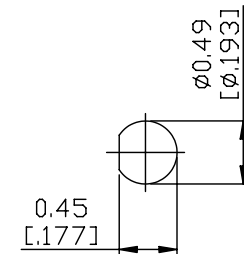
| NO. | COMPONENTS | IMPEDANCE |
|-----|--------------------------|-----------|
| 1 | MMCX MALE RIGHT ANGLE | 50 OHM |
| 2 | RG178 | 50 OHM |
| 3 | HEAT SHRINKING TUBE | |
| 4 | MMCX FEMALE FOR BULKHEAD | 50 OHM |

MMCX MALE
RIGHT ANGLE

MMCX FEMALE
FOR BULKHEAD



| JYE BAO P/N | L CM (INCH) |
|----------------|------------------------|
| E39E85-178-15 | 15 (5.906) |
| E39E85-178-30 | 30 (11.811) |
| E39E85-178-50 | 50 (19.685) |
| E39E85-178-100 | 100 (39.370) |
| E39E85-178-150 | 150 (59.055) |
| E39E85-178-200 | 200 (78.740) |
| E39E85-178-XXX | CUSTOM LENGTH IN CM |



MOUNTING HOLE

| | |
|--|---|
| <p>LENGTH TOLERANCE IS ±1.5% OR ±10MM, WHICHEVER IS GREATER.</p> | <p>JYE BAO CO., LTD.</p> <p>TAIPEI TAIWAN</p> |
| | <p>DESCRIPTION CABLE ASSEMBLY MMCX PLUG R/A TO MMCX JACK FOR BULKHEAD</p> |
| | <p>JYE BAO DRAWING NO. E39E85-178-XXXX</p> |