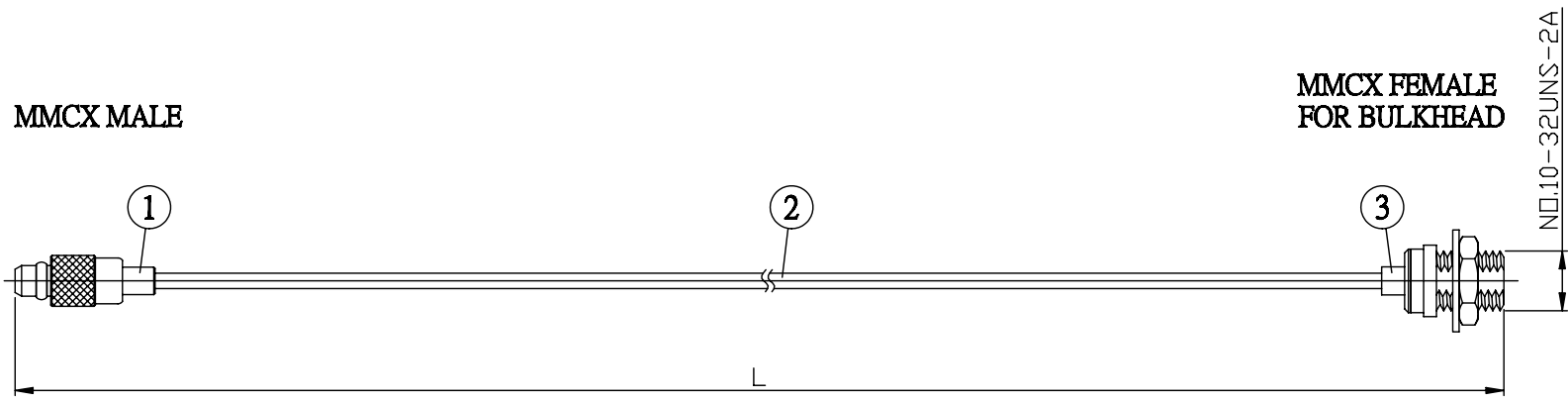
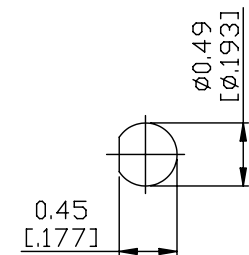


NO.	COMPONENTS	IMPEDANCE
1	MMCX MALE	50 OHM
2	.047" TIN PLATED SEMI-RIGID CABLE	50 OHM
3	MMCX FEMALE FOR BULKHEAD	50 OHM



JYE BAO P/N	L CM (INCH)
E30E85-47T-15	15 (5.906)
E30E85-47T-30	30 (11.811)
E30E85-47T-50	50 (19.685)
E30E85-47T-100	100 (39.370)
E30E85-47T-150	150 (59.055)
E30E85-47T-200	200 (78.740)
E30E85-47T-XXX	CUSTOM LENGTH IN CM



LENGTH TOLERANCE IS ±1.5% OR ±10MM, WHICHEVER IS GREATER.	JYE BAO CO., LTD. TAIPEI TAIWAN	
	DESCRIPTION	CABLE ASSEMBLY MMCX PLUG TO MMCX JACK FOR BULKHEAD
	JYE BAO DRAWING NO.	E30E85-47T-XXX