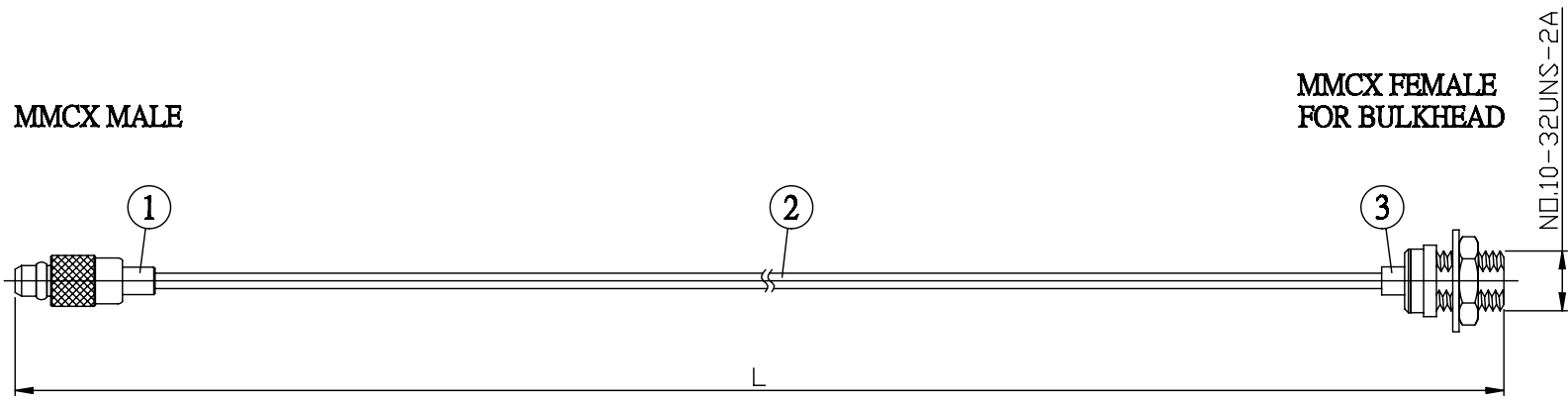
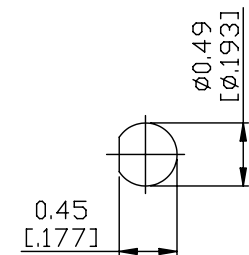


NO.	COMPONENTS	IMPEDANCE
1	MMCX MALE	50 OHM
2	.047" HANDBENDABLE CABLE (= JYEBAO P/N .047SRF-W-P-50)	50 OHM
3	MMCX FEMALE FOR BULKHEAD	50 OHM



JYE BAO P/N	L CM (INCH)
E30E85-47S-15	15 (5.906)
E30E85-47S-30	30 (11.811)
E30E85-47S-50	50 (19.685)
E30E85-47S-100	100 (39.370)
E30E85-47S-150	150 (59.055)
E30E85-47S-200	200 (78.740)
E30E85-47S-XXX	CUSTOM LENGTH IN CM



MOUNTING HOLE

LENGTH TOLERANCE IS $\pm 1.5\%$ OR $\pm 10\text{MM}$, WHICHEVER IS GREATER.	JYE BAO CO., LTD. TAIPEI TAIWAN	
	DESCRIPTION	CABLE ASSEMBLY MMCX PLUG TO MMCX JACK FOR BULKHEAD
	JYE BAO DRAWING NO.	E30E85-47S-XXXX