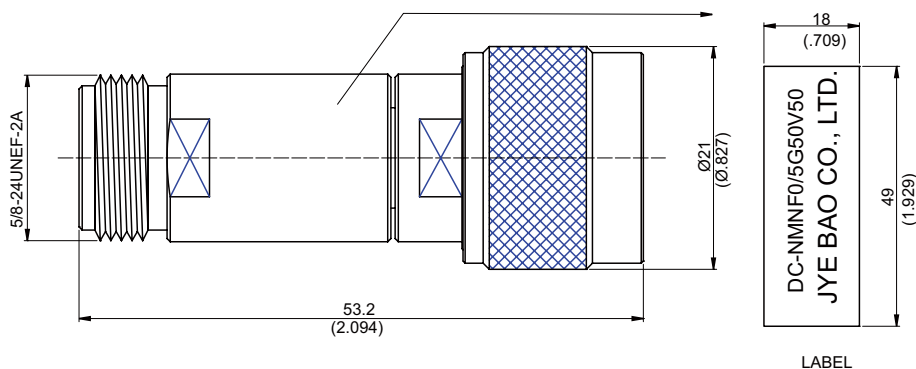


DC-NMNF0/5G50V50

N Plug To N Jack 50 Volt DC-Block



Connector 1		Connector 2		Frequency	Impedance	Voltage	VSWR			Attenuation (dB)		
Series	Male/ Female	Series	Male/ Female			V	1G	3G	5G	1G	3G	5G
N	Male	N	Female	10 MHz to 5 GHz	50Ω	50V DC	≤1.12	≤1.2	≤1.32	≤0.1	≤0.2	≤0.5

Parts	Material	Plating (Micro-inch)
Coupling Nut	Brass	Tin-Zinc-Copper-Alloy 100 Over Copper 50
Contact Pin(Plug)	Brass	Gold 4 Over Nickel-Phosphorus Alloy 80 Over Copper 20
Gasket	Silicon	
Retainer Ring	Brass	Tin-Zinc-Copper-Alloy 100 Over Copper 50
Insulator	Teflon	Gold 4 Over Nickel-Phosphorus Alloy 80 Over Copper 20
Body	Brass	Tin-Zinc-Copper-Alloy 100 Over Copper 50
Contact Pin(Jack)	Beryllium Copper	Gold 4 Over Nickel-Phosphorus Alloy 80 Over Copper 20

Weight: 70.84 g

This part number complies with RoHS.

Notice: JYEBAO reserves the right to make modifications deemed appropriate.

# DC-NMNF0/5G50V50

