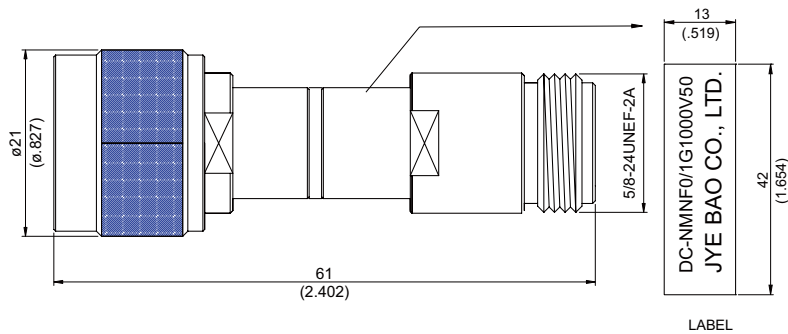


DC-NMNF0/1G1000V50

N Plug To N Jack 1000 Volt DC-Block



Connector 1		Connector 2		Frequency	Impedance	Voltage V	VSWR 1G	Attenuation (dB) 1G
Series	Male/ Female	Series	Male/ Female					
N	Male	N	Female	30 MHz to 1 GHz	50Ω	1000V DC	≤1.2	≤0.2

Parts	Material	Plating (Micro-inch)
Body	Brass	Tin-Zinc-Copper-Alloy 100 Over Copper 50
Contact Pin(Jack)	Beryllium Copper	Gold 4 Over Nickel-Phosphorus Alloy 80 Over Copper 20
Insulator	Teflon	
Retainer Ring	Brass	Tin-Zinc-Copper-Alloy 100 Over Copper 50
Gasket	Silicon	
Contact Pin(Plug)	Brass	Gold 4 Over Nickel-Phosphorus Alloy 80 Over Copper 20
Coupling Nut	Brass	Tin-Zinc-Copper-Alloy 100 Over Copper 50

Weight:

This part number complies with RoHS.

Notice: JYEBAO reserves the right to make modifications deemed appropriate.

DC-NMNF0/1G1000V50

