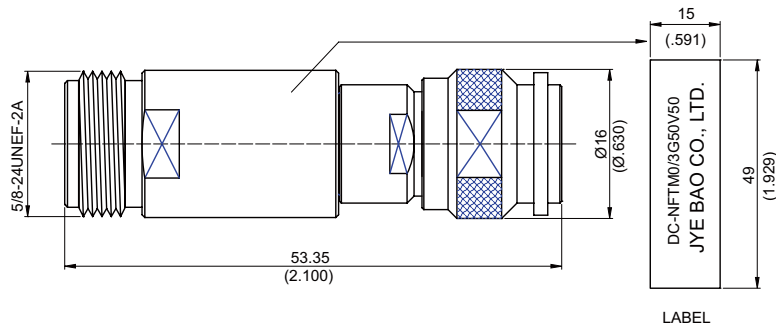


DC-NFTM0/3G50V50

N Jack To TNC Plug 50 Volt DC-Block



Connector 1		Connector 2		Frequency	Impedance	Voltage V	VSWR			Attenuation (dB)	
Series	Male/ Female	Series	Male/ Female				1G	3G	1G	3G	
N	Female	TNC	Male	10 MHz to 3 GHz	50Ω	50V DC	≤1.12	≤1.2	≤0.1	≤0.2	

Parts	Material	Plating (Micro-inch)
Retainer Ring	Brass	Tin-Zinc-Copper-Alloy 100 Over Copper 50
Gasket	Silicon	
Contact Pin(TNC)	Phosphor Bronze	Gold 20 Over Nickel 50 Over Copper 50
Insulator	Teflon	
Body	Brass	Tin-Zinc-Copper-Alloy 100 Over Copper 50
Contact Pin(N)	Beryllium Copper	Gold 20 Over Nickel 50 Over Copper 50
Coupling Nut	Brass	Tin-Zinc-Copper-Alloy 100 Over Copper 50

Weight:

This part number complies with RoHS.

Notice: JYEBAO reserves the right to make modifications deemed appropriate.