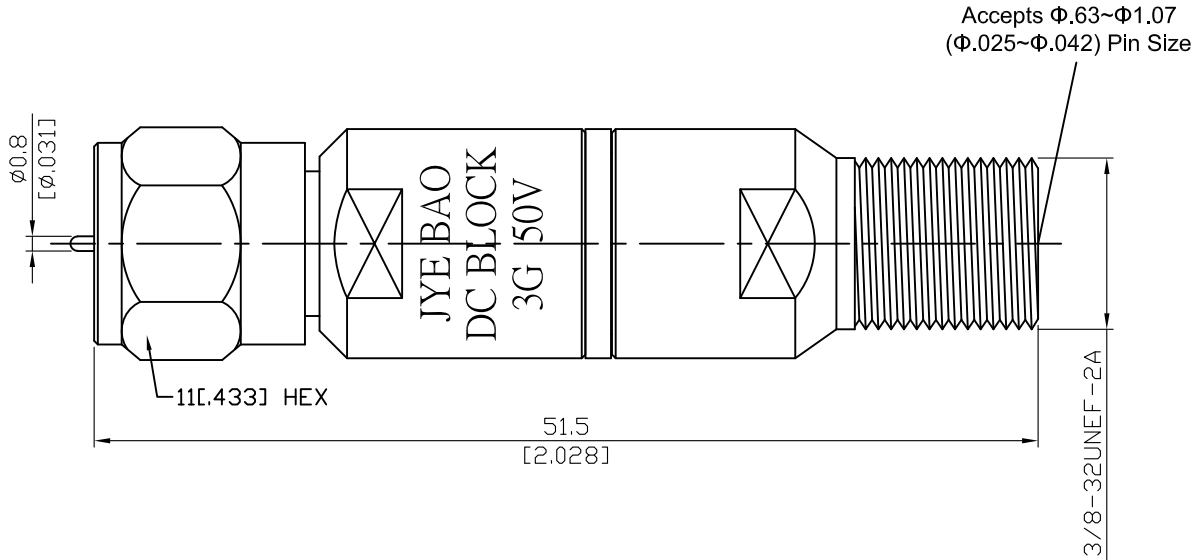


DC-FMFF0/3G50V75	F Plug To F Jack DC Block; 3GHz VSWR 1.25	75Ω
------------------	--	-----



Connector 1		Connector 2		Frequency	Impedance	Voltage (V)	VSWR		Attenuation(dB)	
Series	Male / Female	Series	Male / Female				1G	3G	1G	3G
F	Male	F	Female	10MHz to 3GHz	75Ω	50V DC	≤1.2	≤1.25	≤0.1	≤0.2

Parts	Material	Plating (Micro-inch)
Contact Pin (Plug)	Phosphor Bronze	Gold 4 Over Nickel-Phosphorus Alloy 80 Over Copper 20
Contact Pin (Jack)	Beryllium Copper	Gold 4 Over Nickel-Phosphorus Alloy 80 Over Copper 20
Insulator	PE & PTFE	
Retainer Ring	Brass	Tin-Zinc-Copper-Alloy 100 Over Copper 50
Insulator	Teflon	
Body	Brass	Tin-Zinc-Copper-Alloy 100 Over Copper 50
Coupling Nut	Brass	Tin-Zinc-Copper-Alloy 100 Over Copper 50

Weight:	
---------	--

This part number complies with RoHS.
 Notice: JYEBAO reserves the right to make modifications deemed appropriate.