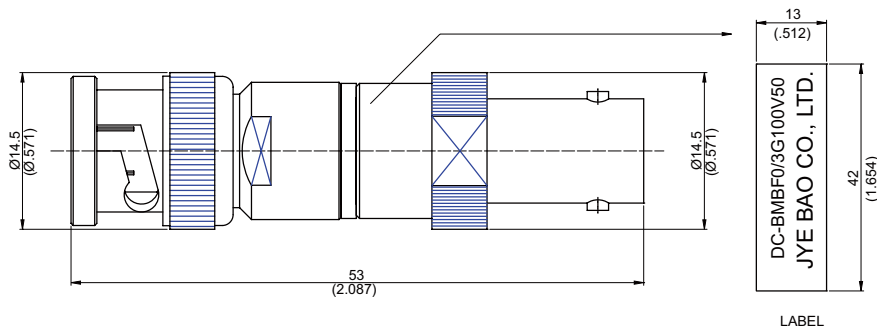


DC-BMBF0/3G100V50

BNC Plug To BNC Jack 100 Volt DC-Block



Connector 1		Connector 2		Frequency	Impedance	Voltage			VSWR		Attenuation (dB)	
Series	Male/ Female	Series	Male/ Female			V	1G	3G	1G	3G	1G	3G
BNC	Male	BNC	Female	10 MHz to 3 GHz	50Ω	100V DC	≤1.12	≤1.2	≤0.1	≤0.2		

Parts	Material	Plating (Micro-inch)
Contact Pin	Phosphor Bronze	Gold 4 Over Nickel-Phosphorus Alloy 80 Over Copper 20
Insulator	Teflon	
Body	Brass	Tin-Zinc-Copper-Alloy 100 Over Copper 50
Gasket	Silicon	
Washer	Brass	Tin-Zinc-Copper-Alloy 100 Over Copper 50
Spring	SK5	Tin-Zinc-Copper-Alloy 100 Over Copper 50
Coupling Nut	Brass	Tin-Zinc-Copper-Alloy 100 Over Copper 50

Weight: 25.68 g

This part number complies with RoHS.

Notice: JYEBAO reserves the right to make modifications deemed appropriate.

DC-BMBF0/3G100V50

