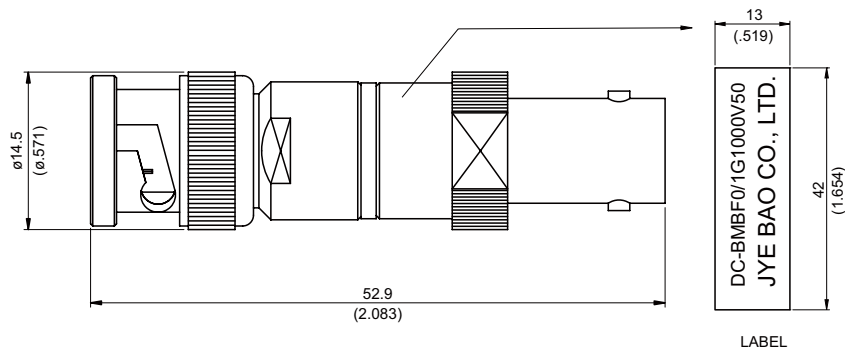


DC-BMBF0/1G1000V50

BNC Plug To BNC Jack 1000 Volt DC-Block



Connector 1		Connector 2		Frequency	Impedance	Voltage V	VSWR 1G	Attenuation (dB) 1G
Series	Male/ Female	Series	Male/ Female					
BNC	Male	BNC	Female	30 MHz to 1 GHz	50Ω	1000V DC	≤1.2	≤0.2

Parts	Material	Plating (Micro-inch)
Body	Brass	Tin-Zinc-Copper-Alloy 100 Over Copper 50
Insulator	Teflon	
Contact Pin	Phosphor Bronze	Gold 4 Over Nickel-Phosphorus Alloy 80 Over Copper 20
Coupling Nut	Brass	Tin-Zinc-Copper-Alloy 100 Over Copper 50

Weight:

This part number complies with RoHS.

Notice: JYEBAO reserves the right to make modifications deemed appropriate.

# DC-BMBF0/1G1000V50

