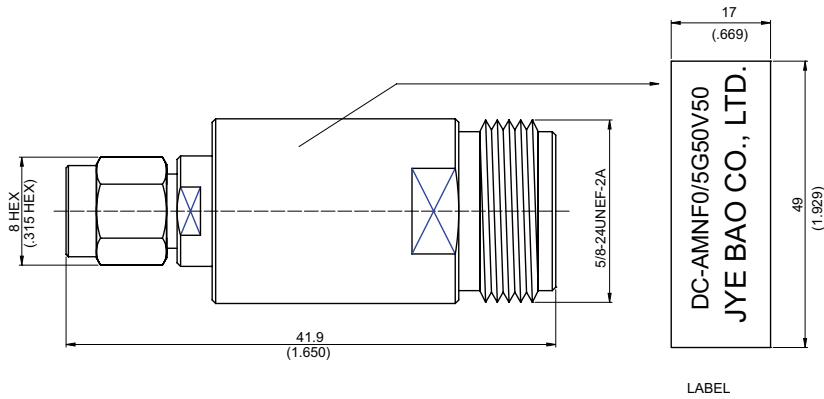


DC-AMNF0/5G50V50

SMA Plug To N Jack 50 Volt DC-Block



| Connector 1 | | Connector 2 | | Frequency | Impedance | Voltage V | VSWR | | | Attenuation (dB) | | |
|-------------|-----------------|-------------|-----------------|-----------------|-----------|--------------|-------|------|-------|------------------|------|------|
| Series | Male/ Female | Series | Male/ Female | | | | 1G | 3G | 5G | 1G | 3G | 5G |
| SMA | Male | N | Female | 10 MHz to 5 GHz | 50Ω | 50V DC | ≤1.12 | ≤1.2 | ≤1.32 | ≤0.1 | ≤0.2 | ≤0.5 |

| Parts | Material | Plating (Micro-inch) |
|------------------|------------------|---|
| Contact Pin(N) | Beryllium Copper | Gold 4 Over Nickel-Phosphorus Alloy 80 Over Copper 20 |
| Insulator | Teflon | |
| Body | Brass | Tin-Zinc-Copper-Alloy 100 Over Copper 50 |
| Renbrock Ring | Beryllium Copper | Tin-Zinc-Copper-Alloy 100 Over Copper 50 |
| Gasket | Silicon | |
| Contact Pin(SMA) | Phosphor Bronze | Gold 4 Over Nickel-Phosphorus Alloy 80 Over Copper 20 |
| Coupling Nut | Brass | Tin-Zinc-Copper-Alloy 100 Over Copper 50 |

Weight:

This part number complies with RoHS.

Notice: JYEBAO reserves the right to make modifications deemed appropriate.

DC-AMNF0/5G50V50

