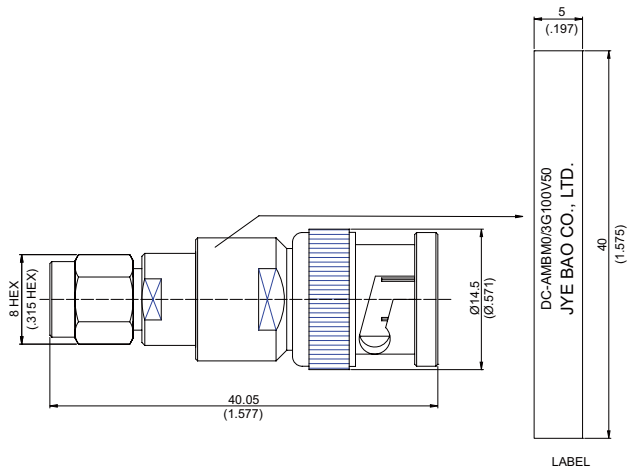


DC-AMBM0/3G100V50

SMA Plug To BNC Plug 100 Volt DC-Block



Connector 1		Connector 2		Frequency	Impedance	Voltage		VSWR		Attenuation (dB)	
Series	Male/ Female	Series	Male/ Female			V	1G	3G	1G	3G	
SMA	Male	BNC	Male	10 MHz to 3 GHz	50Ω	100V DC	≤1.12	≤1.2	≤0.1	≤0.2	

Parts	Material	Plating (Micro-inch)
Washer	Brass	Tin-Zinc-Copper-Alloy 100 Over Copper 50
Spring	SK5	Tin-Zinc-Copper-Alloy 100 Over Copper 50
Gasket	Silicon	
Contact Pin	Phosphor Bronze	Gold 20 Over Nickel 50 Over Copper 50
Insulator	Teflon	
Body	Brass	Tin-Zinc-Copper-Alloy 100 Over Copper 50
Reating Ring	Beryllium Copper	Tin-Zinc-Copper-Alloy 100 Over Copper 50
Coupling Nut	Brass	Tin-Zinc-Copper-Alloy 100 Over Copper 50

Weight:

This part number complies with RoHS.

Notice: JYEBAO reserves the right to make modifications deemed appropriate.