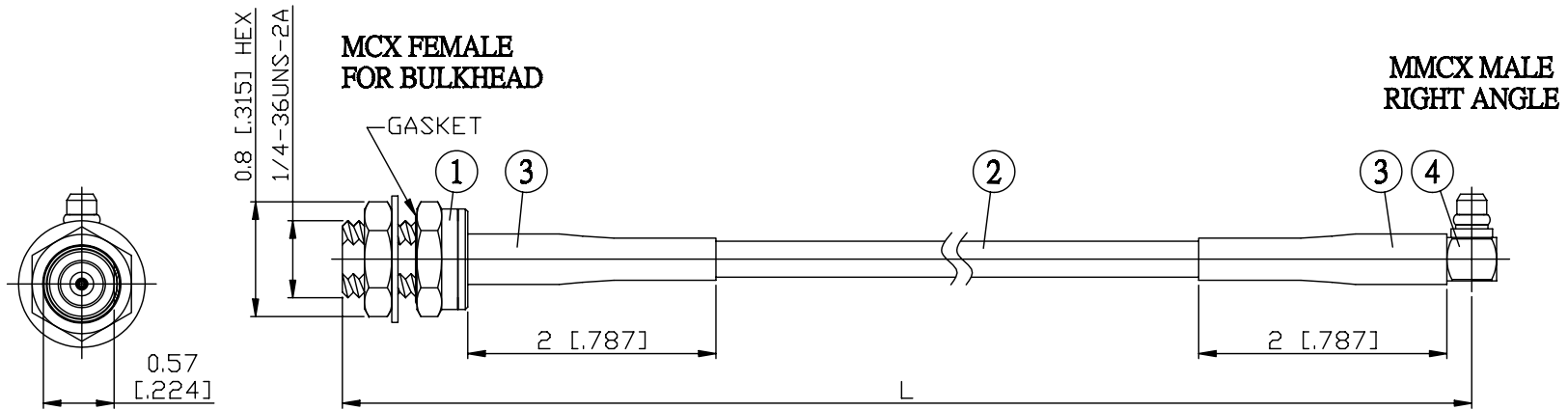
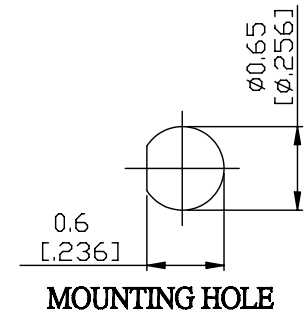


NO.	COMPONENTS	IMPEDANCE
1	MCX FEMALE FOR BULKHEAD	50 OHM
2	DOUBLE SHIELDED RG316(= RD316)	50 OHM
3	HEAT SHRINKING TUBE	
4	MMCX MALE RIGHT ANGLE	50 OHM



JYE BAO P/N	L CM (INCH)
D85E39-316D-15	15 (5.906)
D85E39-316D-30	30 (11.811)
D85E39-316D-50	50 (19.685)
D85E39-316D-100	100 (39.370)
D85E39-316D-150	150 (59.055)
D85E39-316D-200	200 (78.740)
D85E39-316D-XXX	CUSTOM LENGTH IN CM



LENGTH TOLERANCE IS ±1.5% OR ±10MM, WHICHEVER IS GREATER.	JYE BAO CO., LTD. TAIPEI TAIWAN
	DESCRIPTION CABLE ASSEMBLY MCX JACK FOR BULKHEAD TO MMCX PLUG R/A
	JYE BAO DRAWING NO. D85E39-316D-XXX