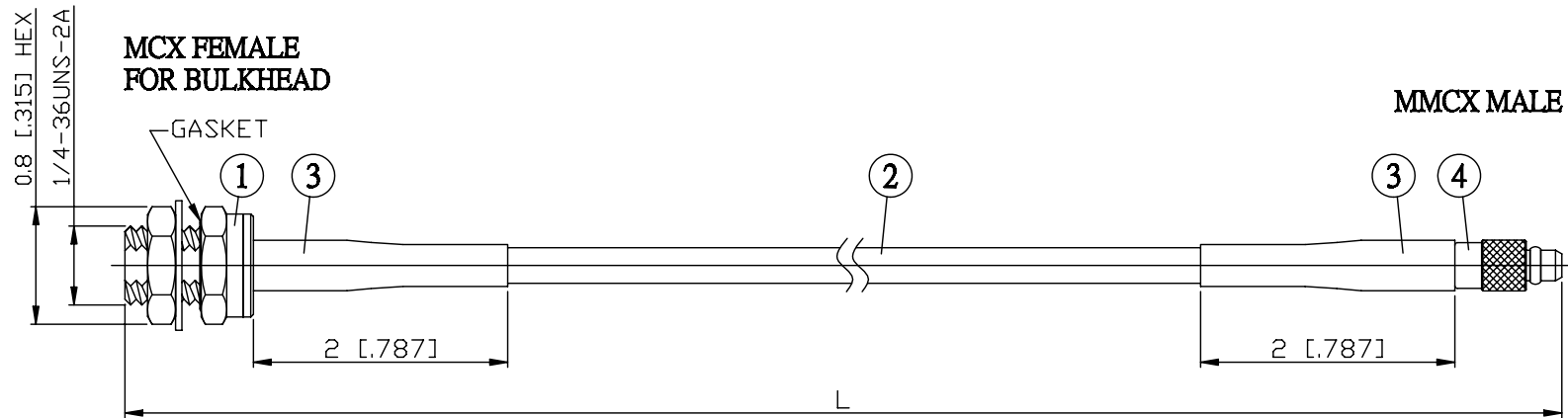
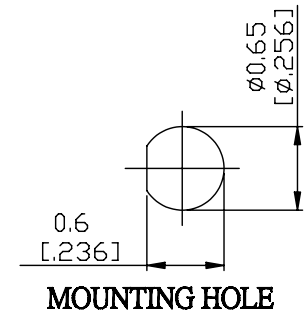


NO.	COMPONENTS	IMPEDANCE
1	MCX FEMALE FOR BULKHEAD	50 OHM
2	RG174	50 OHM
3	HEAT SHRINKING TUBE	
4	MMCX MALE	50 OHM



JYE BAO P/N	L CM (INCH)
D85E30-174-15	15 (5.906)
D85E30-174-30	30 (11.811)
D85E30-174-50	50 (19.685)
D85E30-174-100	100 (39.370)
D85E30-174-150	150 (59.055)
D85E30-174-200	200 (78.740)
D85E30-174-XXX	CUSTOM LENGTH IN CM



<b>LENGTH TOLERANCE IS ±1.5% OR ±10MM, WHICHEVER IS GREATER.</b>	<b>JYE BAO CO., LTD.</b> TAIPEI TAIWAN	
	DESCRIPTION	CABLE ASSEMBLY MCX JACK FOR BULKHEAD TO MMCX PLUG
	JYE BAO DRAWING NO.	D85E30-174-XXX