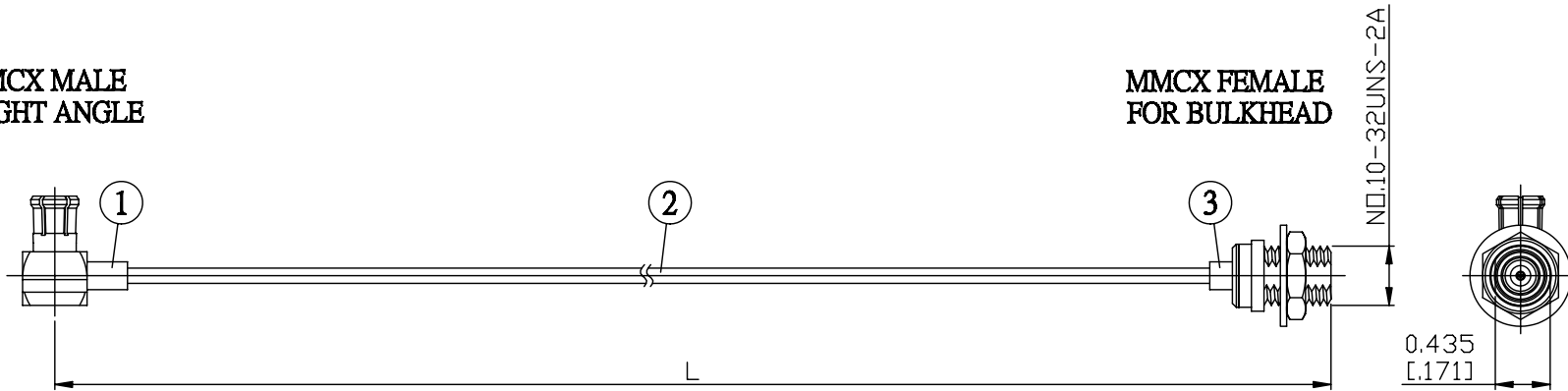


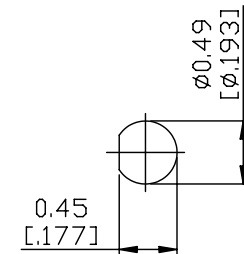
NO.	COMPONENTS	IMPEDANCE
1	MCX MALE RIGHT ANGLE	50 OHM
2	.047" TIN PLATED SEMI-RIGID CABLE	50 OHM
3	MMCX FEMALE FOR BULKHEAD	50 OHM

MCX MALE  
RIGHT ANGLE

MMCX FEMALE  
FOR BULKHEAD



JYE BAO P/N	L CM (INCH)
D39E85-47T-15	15 (5.906)
D39E85-47T-30	30 (11.811)
D39E85-47T-50	50 (19.685)
D39E85-47T-100	100 (39.370)
D39E85-47T-150	150 (59.055)
D39E85-47T-200	200 (78.740)
D39E85-47T-XXX	CUSTOM LENGTH IN CM



MOUNTING HOLE

<p>LENGTH TOLERANCE IS ±1.5% OR ±10MM, WHICHEVER IS GREATER.</p>	<p><b>JYE BAO CO., LTD.</b></p> <p>TAIPEI TAIWAN</p>
	<p>DESCRIPTION CABLE ASSEMBLY MCX PLUG R/A TO MMCX JACK FOR BULKHEAD</p>
	<p>JYE BAO DRAWING NO. D39E85-47T-XXX</p>