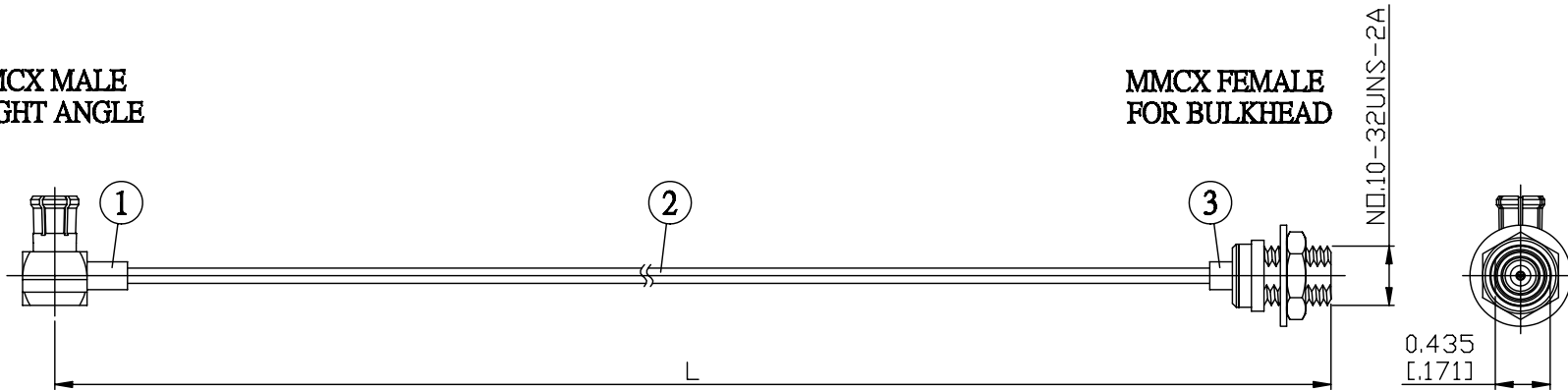


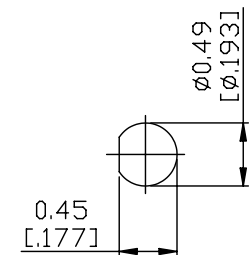
NO.	COMPONENTS	IMPEDANCE
1	MCX MALE RIGHT ANGLE	50 OHM
2	.047" HANDBENDABLE CABLE (= JYEBAO P/N .047SRF-W-P-50)	50 OHM
3	MMCX FEMALE FOR BULKHEAD	50 OHM

MCX MALE
RIGHT ANGLE

MMCX FEMALE
FOR BULKHEAD



JYE BAO P/N	L CM (INCH)
D39E85-47S-15	15 (5.906)
D39E85-47S-30	30 (11.811)
D39E85-47S-50	50 (19.685)
D39E85-47S-100	100 (39.370)
D39E85-47S-150	150 (59.055)
D39E85-47S-200	200 (78.740)
D39E85-47S-XXX	CUSTOM LENGTH IN CM



MOUNTING HOLE

<p>LENGTH TOLERANCE IS ±1.5% OR ±10MM, WHICHEVER IS GREATER.</p>	<p>JYE BAO CO., LTD.</p> <p>TAIPEI TAIWAN</p>
	<p>DESCRIPTION CABLE ASSEMBLY MCX PLUG R/A TO MMCX JACK FOR BULKHEAD</p>
	<p>JYE BAO DRAWING NO. D39E85-47S-XXX</p>