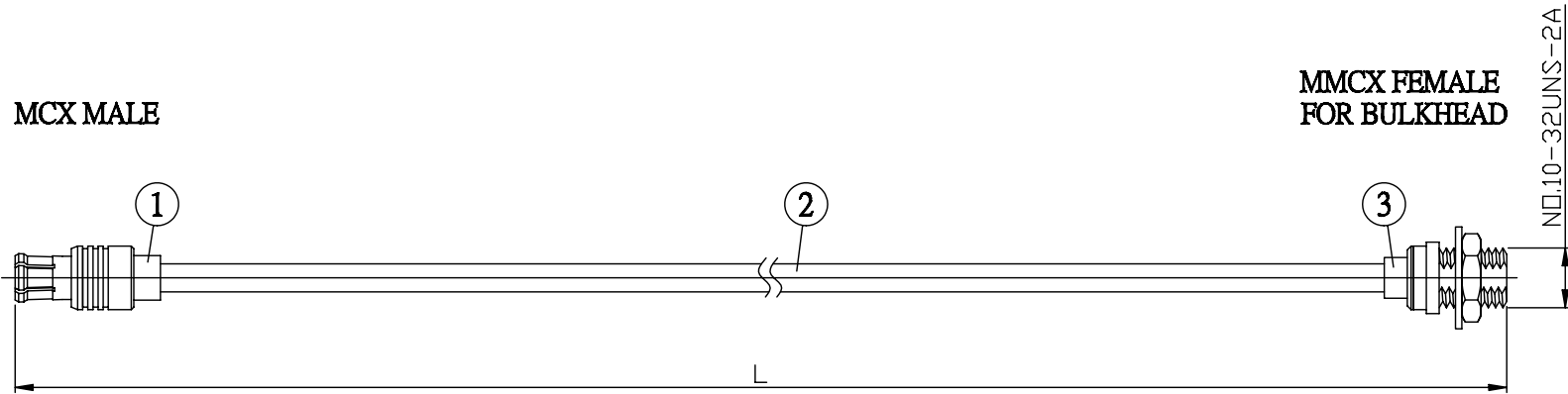
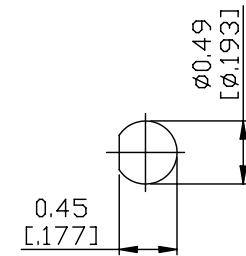


| NO. | COMPONENTS | IMPEDANCE |
|-----|--|-----------|
| 1 | MCX MALE | 50 OHM |
| 2 | .085" TIN PLATED SEMI-RIGID CABLE (TIN PLATED RG405) | 50 OHM |
| 3 | MMCX FEMALE FOR BULKHEAD | 50 OHM |



| JYE BAO P/N | L CM (INCH) |
|----------------|------------------------|
| D30E85-85T-15 | 15 (5.906) |
| D30E85-85T-30 | 30 (11.811) |
| D30E85-85T-50 | 50 (19.685) |
| D30E85-85T-100 | 100 (39.370) |
| D30E85-85T-150 | 150 (59.055) |
| D30E85-85T-200 | 200 (78.740) |
| D30E85-85T-XXX | CUSTOM LENGTH IN CM |



MOUNTING HOLE

| | |
|--|--|
| <p>LENGTH TOLERANCE IS ±1.5% OR ±10MM, WHICHEVER IS GREATER.</p> | <p>JYE BAO CO., LTD.</p> <p>TAIPEI TAIWAN</p> |
| | <p>DESCRIPTION CABLE ASSEMBLY MCX PLUG TO MMCX JACK FOR BULKHEAD</p> |
| | <p>JYE BAO DRAWING NO. D30E85-85T-XXX</p> |