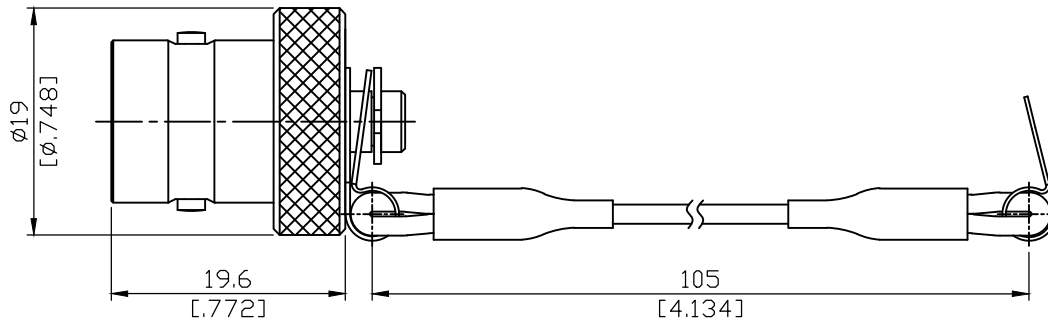


C88SW-0000

C Jack Cap

50Ω



Parts	Material	Plating ( Micro-inch )
Chain Plate	Stainless Wire (Black)	
E-Ring	Stainless Steel	Passivated
Body	Brass	Tin-Zinc-Copper-Alloy 100 Over Copper 50

This part number complies with RoHS.

Notice: JYEBAO reserves the right to make modifications demand appropriate.