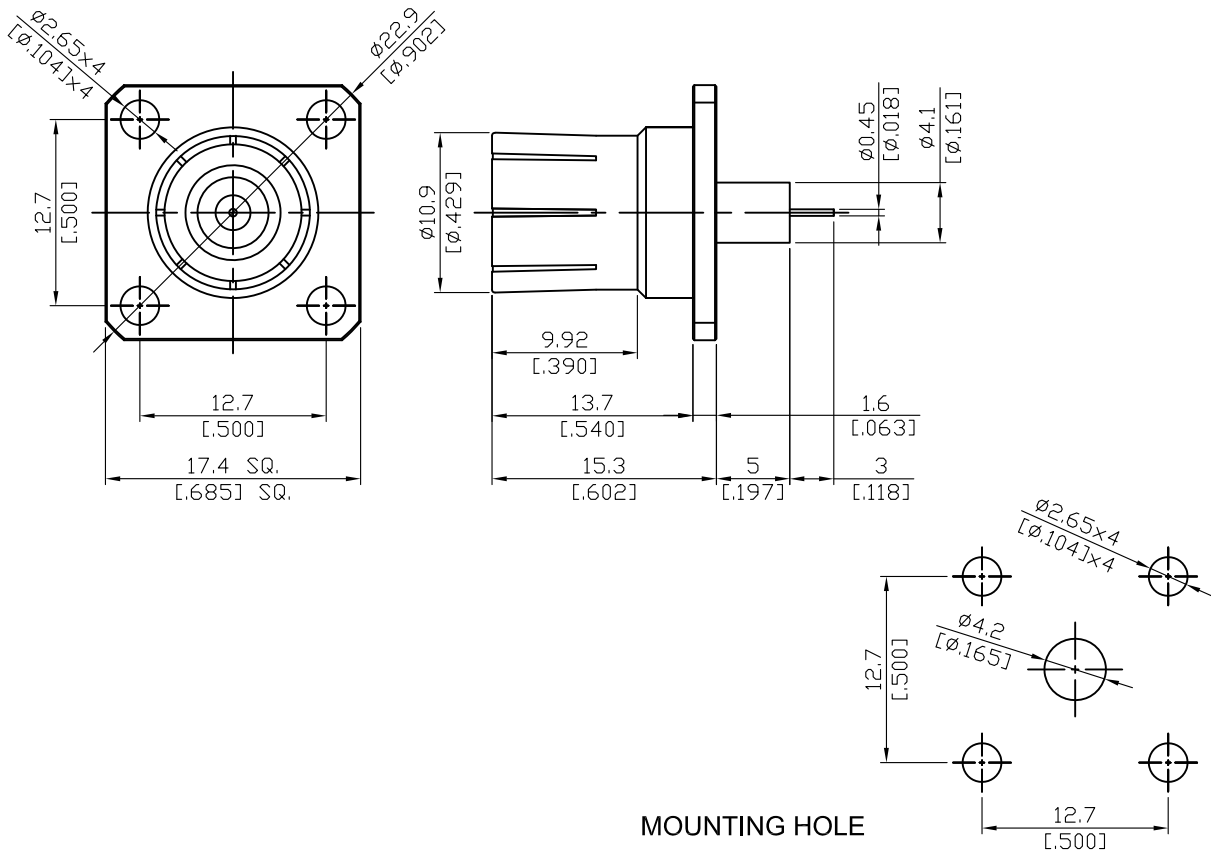


C364QA-0000

C Snap On Plug SQ 17.5mm 4 Hole Flange With Round Contact (Φ0.45;L=3); PTFE L=5; 5GHz VSWR 1.2

50Ω



Parts	Material	Plating (Micro-inch)
Contact Pin	Brass	Gold 4 Over Nickel-Phosphorus Alloy 80 Over Copper 20
Insulator	Teflon	
Body	Brass	Tin-Zinc-Copper-Alloy 100 Over Copper 50

This part number complies with RoHS.

Notice: JYEBAO reserves the right to make modifications deemed appropriate.

C	C364QA-0000																				
<div data-bbox="113 327 513 376" style="border: 1px solid black; padding: 2px;">Interface</div> <p>Per JYEBAO C Snap On Plug</p>																					
<div data-bbox="113 490 513 539" style="border: 1px solid black; padding: 2px;">Electrical Data</div> <table border="0" style="width: 100%;"> <tr> <td style="width: 50%;">Impedance</td> <td style="width: 50%;">50Ω</td> </tr> <tr> <td>Frequency range</td> <td>DC to 5GHz max</td> </tr> <tr> <td>VSWR</td> <td>≤ 1.2 (DC to 5GHz)</td> </tr> <tr> <td>Insertion loss</td> <td>≤ 0.1 x √ f(GHz) dB</td> </tr> <tr> <td>Insulation resistance</td> <td>≥ 10000MΩ</td> </tr> <tr> <td>Contact resistance inner conductor</td> <td>≤ 1mΩ</td> </tr> <tr> <td>Contact resistance outer conductor</td> <td>≤ 0.25mΩ</td> </tr> <tr> <td>Dielectric withstanding voltage (at sea level)</td> <td>3000 V rms</td> </tr> <tr> <td>Working Voltage (at sea level)</td> <td>1000 V rms</td> </tr> <tr> <td>Power Handling</td> <td>≤ 400W (1GHz)</td> </tr> </table>		Impedance	50Ω	Frequency range	DC to 5GHz max	VSWR	≤ 1.2 (DC to 5GHz)	Insertion loss	≤ 0.1 x √ f(GHz) dB	Insulation resistance	≥ 10000MΩ	Contact resistance inner conductor	≤ 1mΩ	Contact resistance outer conductor	≤ 0.25mΩ	Dielectric withstanding voltage (at sea level)	3000 V rms	Working Voltage (at sea level)	1000 V rms	Power Handling	≤ 400W (1GHz)
Impedance	50Ω																				
Frequency range	DC to 5GHz max																				
VSWR	≤ 1.2 (DC to 5GHz)																				
Insertion loss	≤ 0.1 x √ f(GHz) dB																				
Insulation resistance	≥ 10000MΩ																				
Contact resistance inner conductor	≤ 1mΩ																				
Contact resistance outer conductor	≤ 0.25mΩ																				
Dielectric withstanding voltage (at sea level)	3000 V rms																				
Working Voltage (at sea level)	1000 V rms																				
Power Handling	≤ 400W (1GHz)																				
<div data-bbox="113 1133 513 1182" style="border: 1px solid black; padding: 2px;">Mechanical Data</div> <table border="0" style="width: 100%;"> <tr> <td style="width: 50%;">Contact Captivation-axial</td> <td style="width: 50%;">≥ 6 lbs</td> </tr> <tr> <td>Durability (mating)</td> <td>≥ 500</td> </tr> </table>		Contact Captivation-axial	≥ 6 lbs	Durability (mating)	≥ 500																
Contact Captivation-axial	≥ 6 lbs																				
Durability (mating)	≥ 500																				
<div data-bbox="113 1485 513 1534" style="border: 1px solid black; padding: 2px;">Environmental Data</div> <table border="0" style="width: 100%;"> <tr> <td style="width: 50%;">Temperature range</td> <td style="width: 50%;">-65°C to +165°C</td> </tr> <tr> <td>Thermal shock</td> <td>MIL-STD-202, Method 107, Condition B</td> </tr> <tr> <td>Moisture resistance</td> <td>MIL-STD-202, Method 206</td> </tr> <tr> <td>Corrosion</td> <td>MIL-STD-202, Method 101, Condition B</td> </tr> <tr> <td>RoHS</td> <td>Compliant</td> </tr> </table>		Temperature range	-65°C to +165°C	Thermal shock	MIL-STD-202, Method 107, Condition B	Moisture resistance	MIL-STD-202, Method 206	Corrosion	MIL-STD-202, Method 101, Condition B	RoHS	Compliant										
Temperature range	-65°C to +165°C																				
Thermal shock	MIL-STD-202, Method 107, Condition B																				
Moisture resistance	MIL-STD-202, Method 206																				
Corrosion	MIL-STD-202, Method 101, Condition B																				
RoHS	Compliant																				
<div data-bbox="113 1836 513 1886" style="border: 1px solid black; padding: 2px;">Tooling</div>																					

Notice: JYEBAO reserves the right to make modifications deemed appropriate.