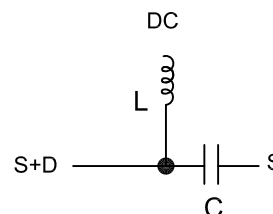
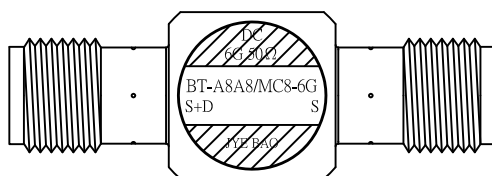
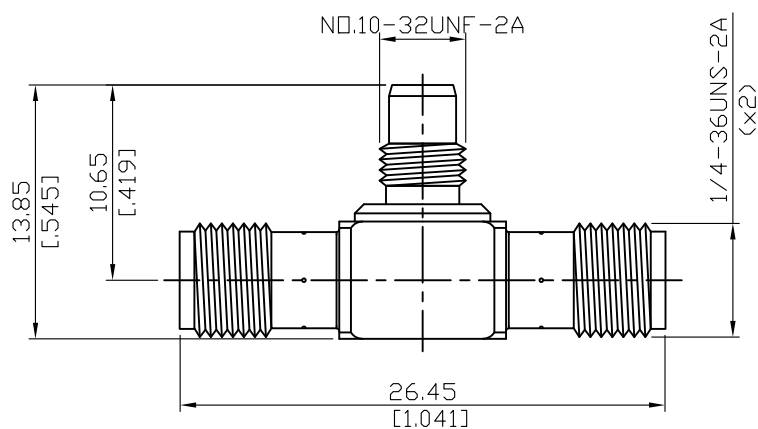


BT-A8A8/MC8-6G

Bias Tee

50Ω



Bias Tee Spec Table

RF In	RF Out	Bias Connector	DC current Maximum	Isolation (RF to Bias port typical)	DC Volt Maximum	Frequency Range	VSWR			
							1G	2G	3G	6G
SMA female	SMA female	SMC female	100mA	28dB	20	10Mhz to 6GHz	≤ 1.15	≤ 1.2	≤ 1.25	≤ 1.3

Parts	Material	Plating (Micro-inch)
Insulator	Teflon	
Body	Brass	Gold 4 Over Nickel-Phosphorus Alloy 80 Over Copper 20
Contact Pin(SMC)	Brass	Gold 4 Over Nickel-Phosphorus Alloy 80 Over Copper 20
Contact Pin(SMA)	Beryllium Copper	Gold 4 Over Nickel-Phosphorus Alloy 80 Over Copper 20

This part number complies with RoHS.

Notice: JYEBAO reserves the right to make modifications deemed appropriate.