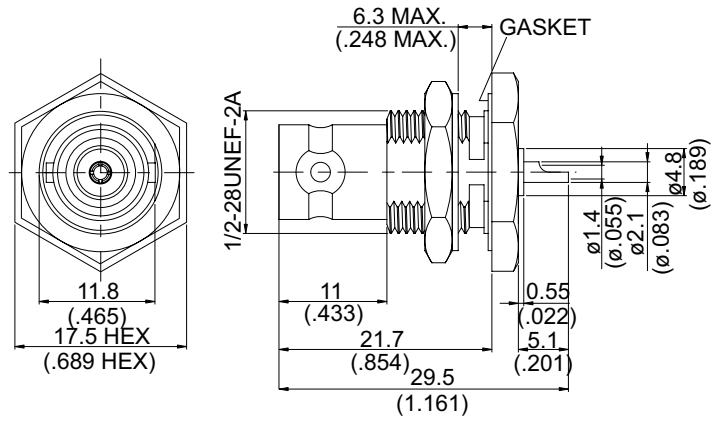
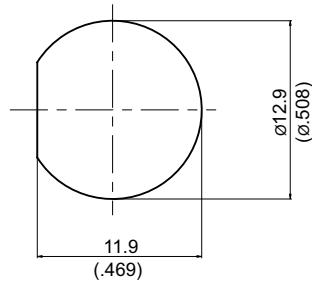


BNC8506-0075	BNC Jack For Bulkhead	75Ω
--------------	------------------------------	------------



MOUNTING HOLE



Parts	Material	Plating (Micro-inch)
Hex Nut	Brass	Nickel 100 Over Copper 50
Washer	Brass	Nickel 100 Over Copper 50
Gasket	Silicon	
Contact Pin	Phosphor Bronze	Gold 3 Over Nickel 50 Over Copper 50
Insulator	Teflon	
Body	Brass	Nickel 100 Over Copper 50

Weight:

This part number complies with RoHS.

Notice: JYEBAO reserves the right to make modifications deemed appropriate.