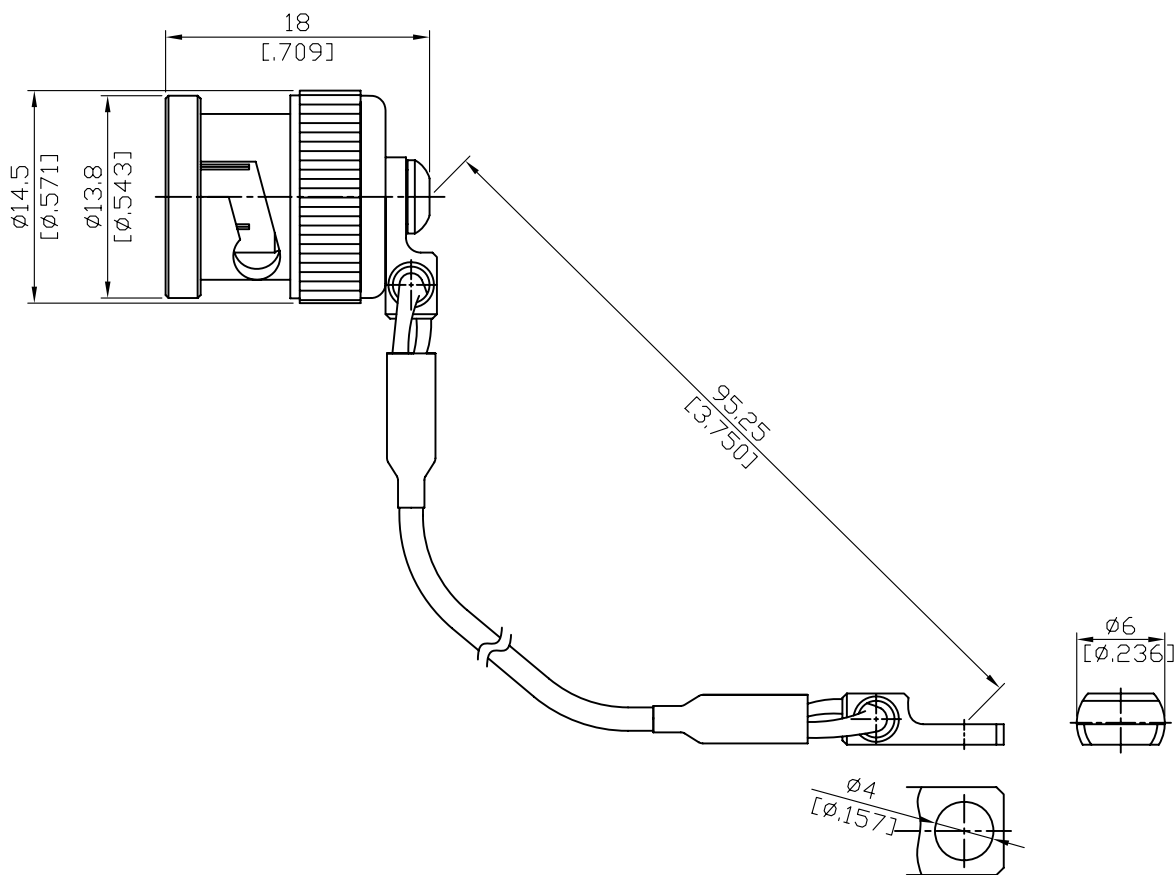


BNC3800A-0000/NI

BNC Plug Cap
With (Black Jacketed) Stainless Wire



Parts	Material	Plating (Micro-inch)
Ferrule	Brass	Tin-Zinc-Copper-Alloy 160 Over Copper 50
Wire	Stainless Wire (Black)	
Tube	Polyolefin With Adhesive	
Free Reed	Brass	Nickel 1000 Over Copper 50
Rivet	Brass	Nickel 1000 Over Copper 50
Gasket	Silicone	
Coupling Nut	Brass	Nickel 1000 Over Copper 50

This part number complies with RoHS.

Notice: JYEBAO reserves the right to make modifications demand appropriate.