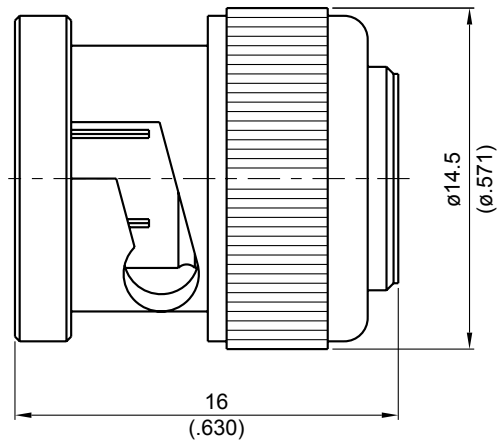


BNC3000-0000

BNC Plug Short End



Parts	Material	Plating (Micro-inch)
Contact Pin	Brass	Gold 3 Over Nickel 50 Over Copper 50
Gasket	Silicone	
Spring	SK5	Tin-Zinc-Copper-Alloy 100 Over Copper 50
Washer	Brass	Tin-Zinc-Copper-Alloy 100 Over Copper 50
Insulator	Teflon	
Body	Brass	Tin-Zinc-Copper-Alloy 100 Over Copper 50
Coupling Nut	Brass	Tin-Zinc-Copper-Alloy 100 Over Copper 50

Weight: 7.36 g

This part number complies with RoHS.

Notice: JYEBAO reserves the right to make modifications deemed appropriate.