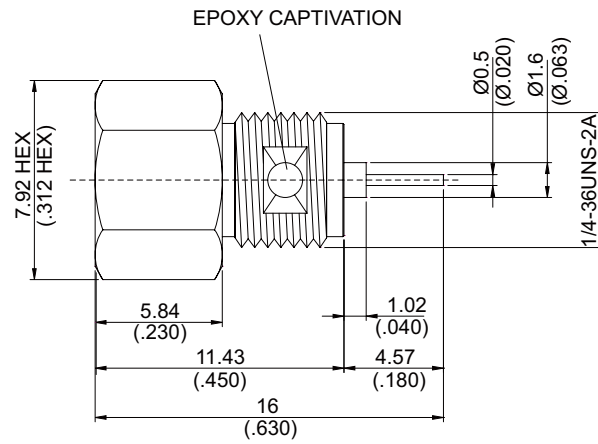


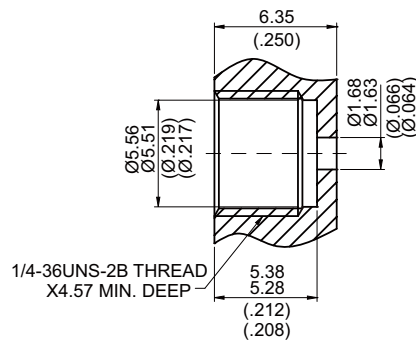
BMA850CSG-0000

BMA Jack For Bulkhead

50Ω



MOUNTING HOLE:



Parts	Material	Plating (Micro-inch)
Ferrule	Brass	Gold 5 over Nickel 50 over Copper 50
Spring Ring	Beryllium Copper	Gold 5 over Nickel 50 over Copper 50
Contact Pin	Beryllium Copper	Gold 30 over Nickel 50 over Copper 50
Insulator	Teflon	
Body	Stainless Steel	Gold 5 over Nickel 50 over Copper 50

Weight: 2.05 g

This part number complies with RoHS.

Notice: JYEBAO reserves the right to make modifications deemed appropriate.