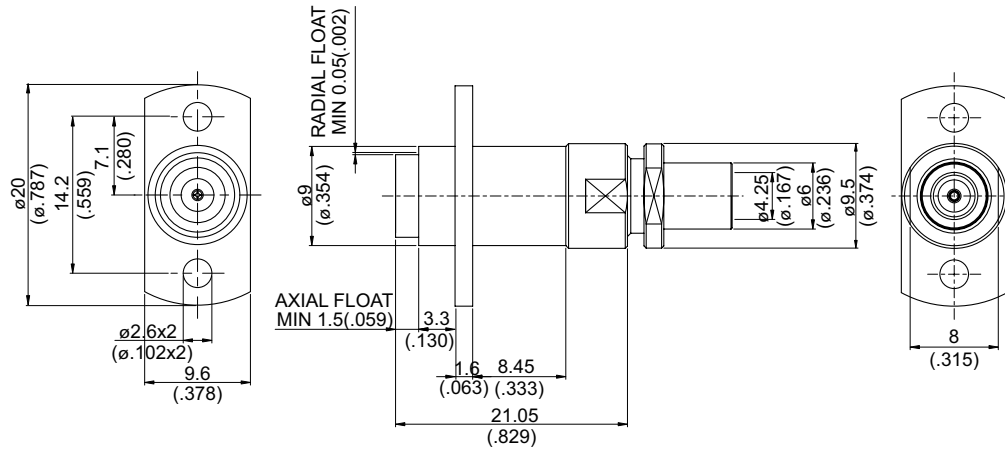
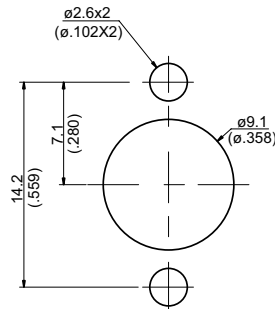


BMA8262-S402

BMA Jack Clamp For Panel Receptacle 50Ω



MOUNTING HOLE:



Parts	Material	Plating (Micro-inch)
Contact Pin	Beryllium Copper	Gold 10 Over Nickel 50 Over Copper 50
Solder Type	Brass	Gold 5 over Nickel 50 over Copper 50
Renber Ring	Beryllium Copper	Tin-Zinc-Copper-Alloy 100 Over Copper 50
Insulator	Teflon	
Ferrule	Brass	Gold 10 over Nickel 50 over Copper 50
Contact Body	Stainless	Passivated
Spring Washer	Beryllium Copper	Gold 5 over Nickel 50 over Copper 50
Spring Ring	Beryllium Copper	Gold 5 over Nickel 50 over Copper 50
Body	Stainless	Passivated

Weight: 10.8 g

Suitable Cables: SS402, 5003, T-Flex402, Multibend 402

This part number complies with RoHS.

Notice: JYEBAO reserves the right to make modifications deemed appropriate.

CABLE ASSEMBLY INSTRUCTION

JYE BAO CO., LTD.

This part number complies with RoHS.

Notice: JYEBAO reserves the right to make modifications deemed appropriate.