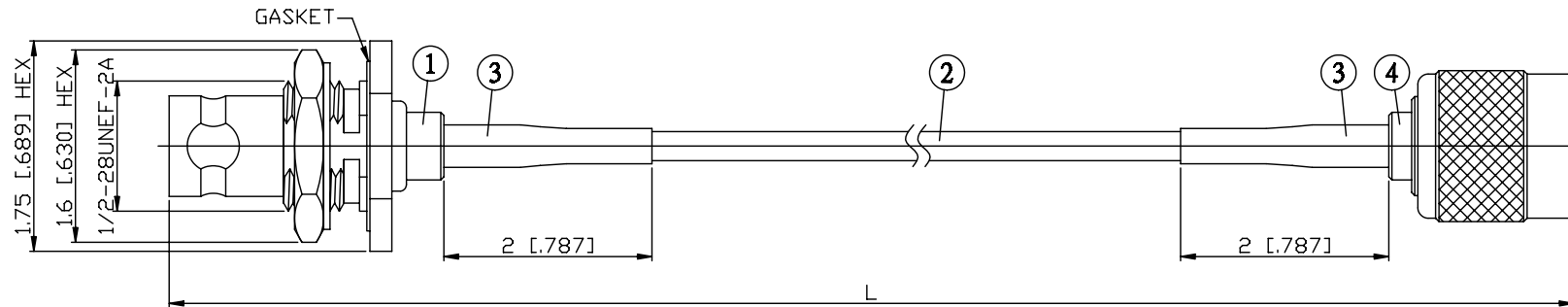


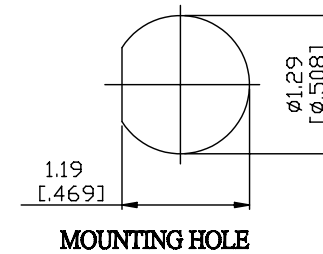
NO.	COMPONENTS	IMPEDANCE
1	BNC REVERSE POLARITY FEMALE FOR BULKHEAD	50 OHM
2	JBY100	50 OHM
3	HEAT SHRINKING TUBE	
4	TNC REVERSE POLARITY MALE	50 OHM

BNC R/P FEMALE FOR BULKHEAD

TNC R/P MALE



JYE BAO P/N	L CM (INCH)
B95T60-L100-15	15 (5.906)
B95T60-L100-30	30 (11.811)
B95T60-L100-50	50 (19.685)
B95T60-L100-100	100 (39.370)
B95T60-L100-150	150 (59.055)
B95T60-L100-200	200 (78.740)
B95T60-L100-XXX	CUSTOM LENGTH IN CM



<p>LENGTH TOLERANCE IS ±1.5% OR ±10MM, WHICHEVER IS GREATER.</p>	<p>JYE BAO CO., LTD.</p> <p>TAIPEI TAIWAN</p>
	<p>DESCRIPTION CABLE ASSEMBLY BNC R/P JACK FOR BULKHEAD TO TNC R/P PLUG</p>
	<p>JYE BAO DRAWING NO. B95T60-L100-XXX</p>