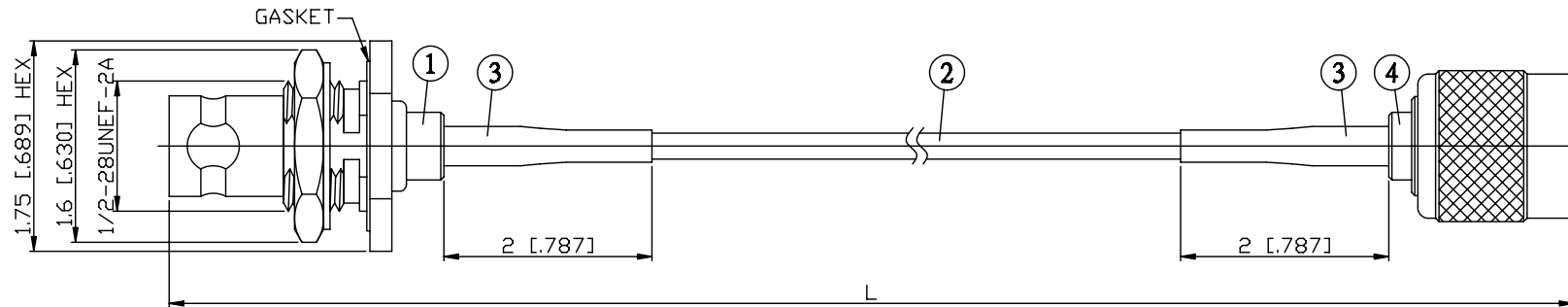


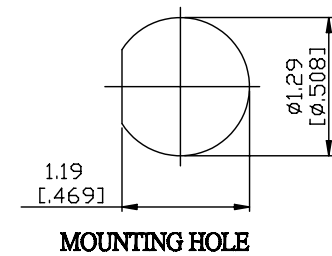
NO.	COMPONENTS	IMPEDANCE
1	BNC REVERSE POLARITY FEMALE FOR BULKHEAD	50 OHM
2	RG316	50 OHM
3	HEAT SHRINKING TUBE	
4	TNC REVERSE POLARITY MALE	50 OHM

**BNC R/P FEMALE FOR BULKHEAD**

**TNC R/P MALE**



JYE BAO P/N	L CM (INCH)
B95T60-316-15	15 (5.906)
B95T60-316-30	30 (11.811)
B95T60-316-50	50 (19.685)
B95T60-316-100	100 (39.370)
B95T60-316-150	150 (59.055)
B95T60-316-200	200 (78.740)
B95T60-316-XXX	CUSTOM LENGTH IN CM



<b>LENGTH TOLERANCE IS <math>\pm 1.5\%</math> OR <math>\pm 10\text{MM}</math>, WHICHEVER IS GREATER.</b>	<b>JYE BAO CO., LTD.</b> TAIPEI TAIWAN	
	DESCRIPTION	CABLE ASSEMBLY BNC R/P JACK FOR BULKHEAD TO TNC R/P PLUG
	JYE BAO DRAWING NO.	B95T60-316-XXX